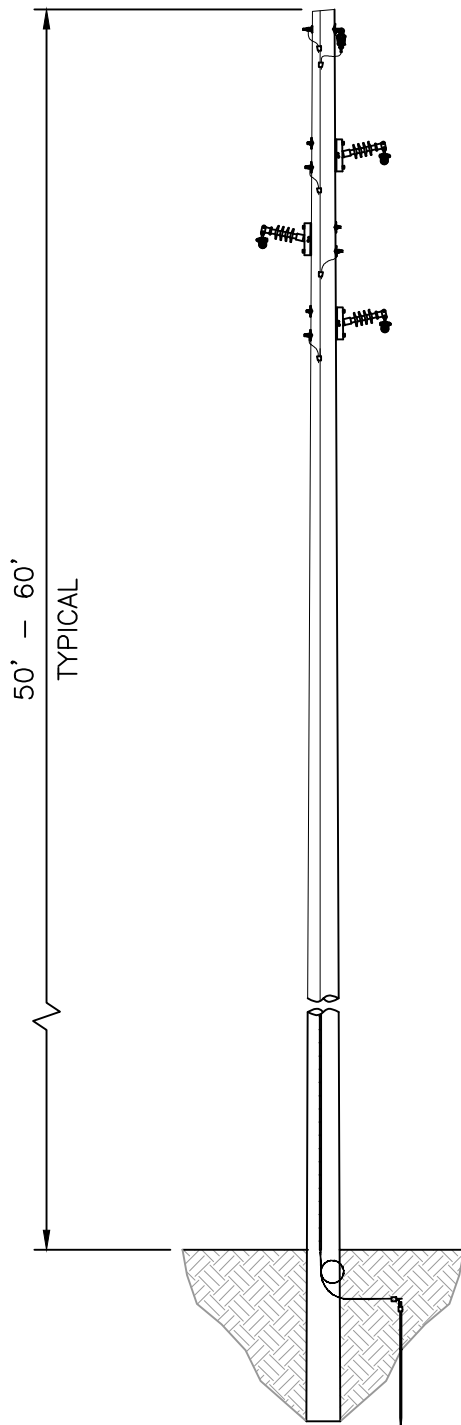


AVE. SPAN LENGTH: 250 – 300 FT.
 AVE. STRUCTURE HEIGHT: 50 – 60 FT.



ELEVATION VIEW

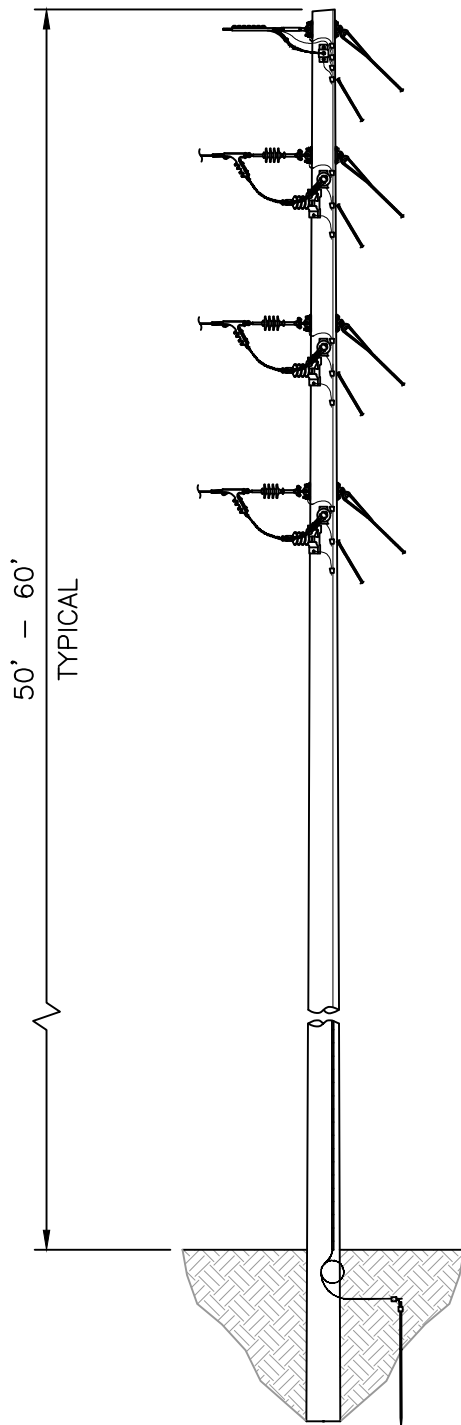
PROPRIETARY INFORMATION

MSE CLAIMS PROPRIETARY RIGHTS TO THE INFORMATION, DESIGN, AND LAYOUT DISCLOSED HEREIN. THIS DRAWING IS ISSUED FOR INFORMATIONAL PURPOSES ONLY AND MAY NOT BE REPRODUCED, DISCLOSED TO OTHERS OR USED TO DESIGN OR CONSTRUCT ANY OF THE ITEMS SHOWN HEREIN WITHOUT THE EXPRESSED WRITTEN CONSENT OF MSE.
 COPYRIGHT 2017 –ALBANY, NY

MSE Engineering, LLC

						BARON WINDS WIND PROJECT		PROJ. No.:		
						BARON WINDS, LLC.		2016013		
						34.5kV OVERHEAD COLLECTION LINE		SCALE:		
						SINGLE CIRCUIT, SINGLE WOOD POLE		1/8"=1'-0"		
						TANGENT STRUCTURE		DWG. No.:	SHEET:	REV.:
A	01/18/17	ISSUED FOR INFORMATION			M/JN	M/JN	M/JN	SK-001	01	A
REV.	DATE	DESCRIPTION			DWN	CHK'D	APRV'D			

AVE. SPAN LENGTH: 250 – 300 FT.
 AVE. STRUCTURE HEIGHT: 50 – 60 FT.



ELEVATION VIEW

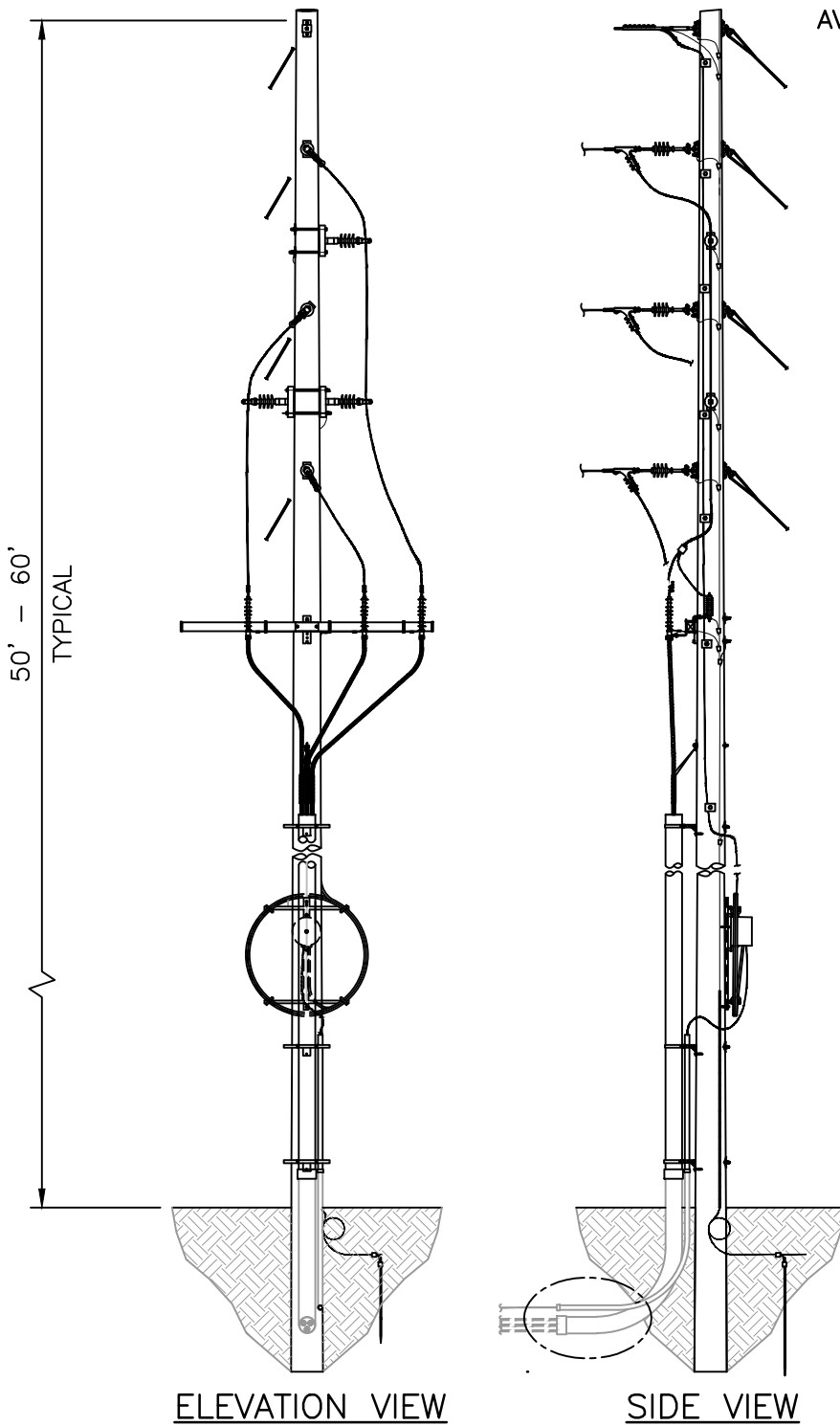
PROPRIETARY INFORMATION

MSE CLAIMS PROPRIETARY RIGHTS TO THE INFORMATION, DESIGN, AND LAYOUT DISCLOSED HEREIN. THIS DRAWING IS ISSUED FOR INFORMATIONAL PURPOSES ONLY AND MAY NOT BE REPRODUCED, DISCLOSED TO OTHERS OR USED TO DESIGN OR CONSTRUCT ANY OF THE ITEMS SHOWN HEREIN WITHOUT THE EXPRESSED WRITTEN CONSENT OF MSE.
 COPYRIGHT 2017 –ALBANY, NY

MSE Engineering, LLC

						BARON WINDS WIND PROJECT BARON WINDS, LLC.		PROJ. No.: 2016013		
						34.5kV OVERHEAD COLLECTION LINE SINGLE CIRCUIT, SINGLE WOOD POLE HEAVY ANGLE DEAD-END STRUCTURE		SCALE: 1/8"=1'-0"		
A	01/18/17	ISSUED FOR INFORMATION	MJN	MJN	MJN			DWG. No.:	SHEET:	REV.:
REV.	DATE	DESCRIPTION	DWN	CHK'D	APRV'D			SK-001	02	A

AVE. SPAN LENGTH: 250 – 300 FT.
 AVE. STRUCTURE HEIGHT: 50 – 60 FT.



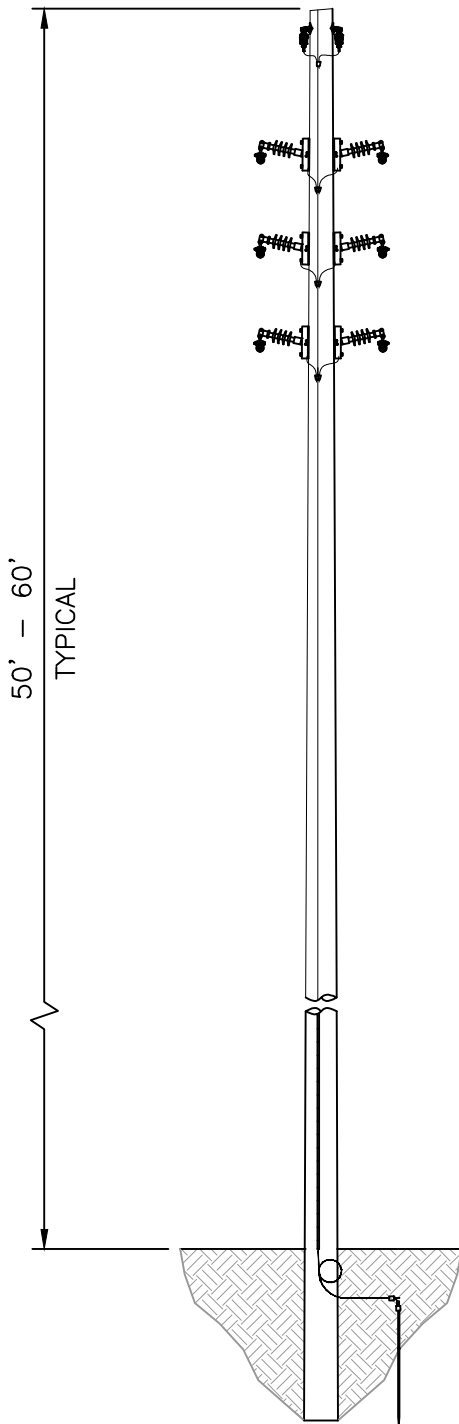
PROPRIETARY INFORMATION

MSE CLAIMS PROPRIETARY RIGHTS TO THE INFORMATION, DESIGN, AND LAYOUT DISCLOSED HEREIN. THIS DRAWING IS ISSUED FOR INFORMATIONAL PURPOSES ONLY AND MAY NOT BE REPRODUCED, DISCLOSED TO OTHERS OR USED TO DESIGN OR CONSTRUCT ANY OF THE ITEMS SHOWN HEREIN WITHOUT THE EXPRESSED WRITTEN CONSENT OF MSE. COPYRIGHT 2017 –ALBANY, NY

MSE Engineering, LLC

						BARON WINDS WIND PROJECT BARON WINDS, LLC.		PROJ. No.: 2016013		
						34.5kV OVERHEAD COLLECTION LINE SINGLE CIRCUIT, SINGLE WOOD POLE RISER DEAD-END STRUCTURE		SCALE: 1/8"=1'-0"		
A	01/18/17	ISSUED FOR INFORMATION	MJN	MJN	MJN			DWG. No.:	SHEET:	REV.:
REV.	DATE	DESCRIPTION	DWN	CHK'D	APRV'D			SK-001	03	A

AVE. SPAN LENGTH: 250 – 300 FT.
 AVE. STRUCTURE HEIGHT: 50 – 60 FT.



ELEVATION VIEW

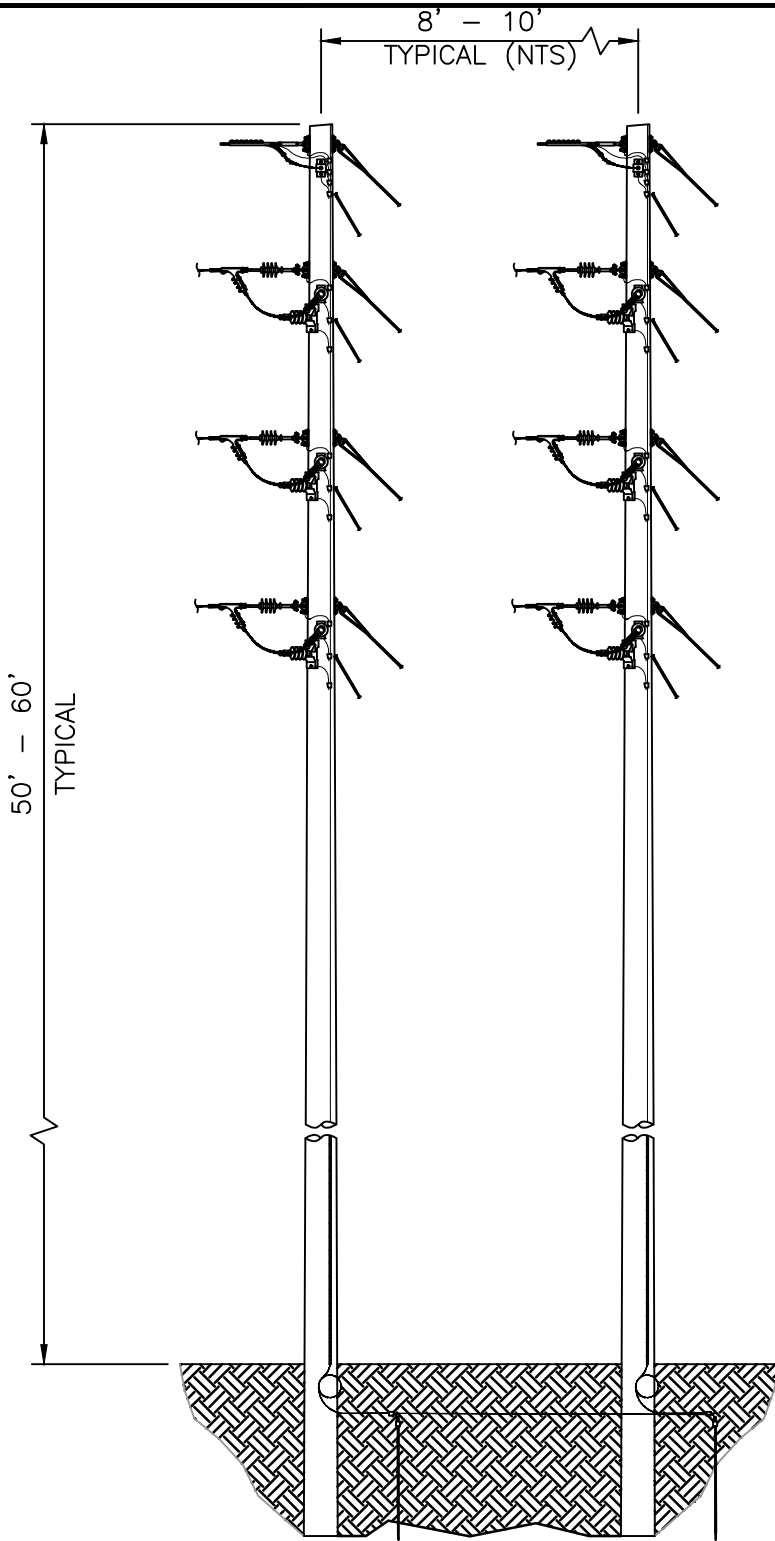
PROPRIETARY INFORMATION

MSE CLAIMS PROPRIETARY RIGHTS TO THE INFORMATION, DESIGN, AND LAYOUT DISCLOSED HEREIN. THIS DRAWING IS ISSUED FOR INFORMATIONAL PURPOSES ONLY AND MAY NOT BE REPRODUCED, DISCLOSED TO OTHERS OR USED TO DESIGN OR CONSTRUCT ANY OF THE ITEMS SHOWN HEREIN WITHOUT THE EXPRESSED WRITTEN CONSENT OF MSE.
 COPYRIGHT 2017 –ALBANY, NY

MSE Engineering, LLC

						BARON WINDS WIND PROJECT BARON WINDS, LLC.		PROJ. No.: 2016013		
						34.5kV OVERHEAD COLLECTION LINE DOUBLE CIRCUIT, SINGLE WOOD POLE TANGENT STRUCTURE		SCALE: 1/8"=1'-0"		
A	01/18/17	ISSUED FOR INFORMATION	MJN	MJN	MJN			DWG. No.:	SHEET:	REV.:
REV.	DATE	DESCRIPTION	DWN	CHK'D	APRV'D			SK-002	01	A

AVE. SPAN LENGTH: 250 – 300 FT.
 AVE. STRUCTURE HEIGHT: 50 – 60 FT.



ELEVATION VIEW

PROPRIETARY INFORMATION

MSE CLAIMS PROPRIETARY RIGHTS TO THE INFORMATION, DESIGN, AND LAYOUT DISCLOSED HEREIN. THIS DRAWING IS ISSUED FOR INFORMATIONAL PURPOSES ONLY AND MAY NOT BE REPRODUCED, DISCLOSED TO OTHERS OR USED TO DESIGN OR CONSTRUCT ANY OF THE ITEMS SHOWN HEREIN WITHOUT THE EXPRESSED WRITTEN CONSENT OF MSE.
 COPYRIGHT 2017 –ALBANY, NY

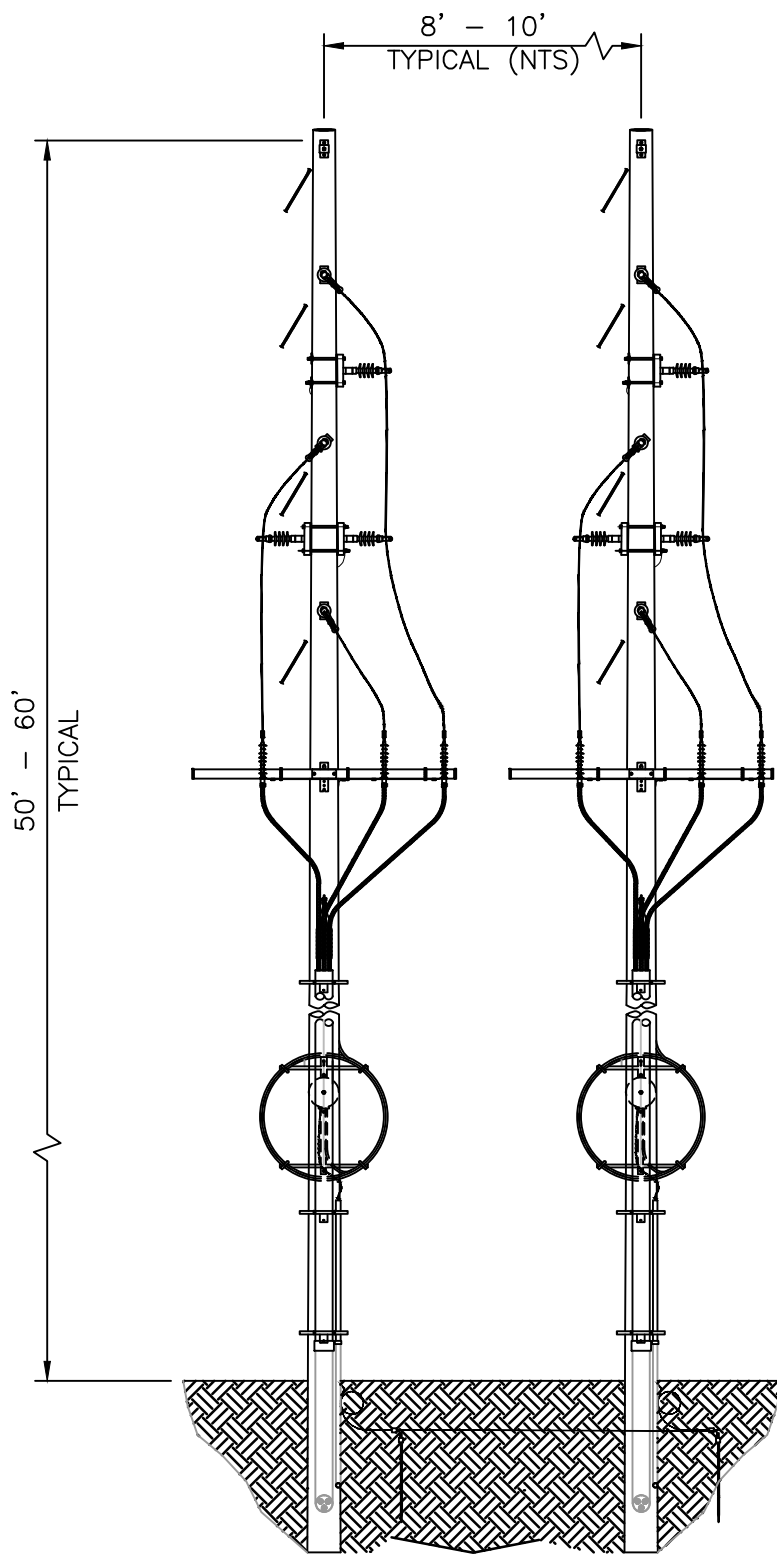
MSE Engineering, LLC

REV.	DATE	DESCRIPTION	DWN	CHK'D	APRV'D
A	01/18/17	ISSUED FOR INFORMATION	MJN	MJN	MJN

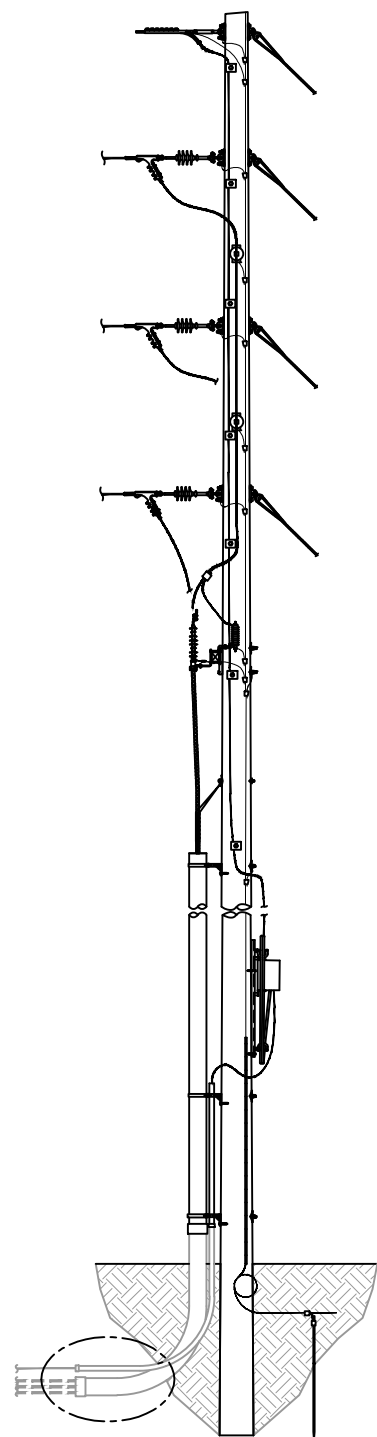
BARON WINDS WIND PROJECT BARON WINDS, LLC.	
34.5kV OVERHEAD COLLECTION LINE DOUBLE CIRCUIT, SINGLE WOOD POLE HEAVY ANGLE DEAD-END STRUCTURE	

PROJ. No.:	2016013		
SCALE:	1/8"=1'-0"		
DWG. No.:	SHEET:	REV.:	
SK-002	02	A	

AVE. SPAN LENGTH: 250 - 300 FT.
 AVE. STRUCTURE HEIGHT: 50 - 60 FT.



ELEVATION VIEW



SIDE VIEW

PROPRIETARY INFORMATION

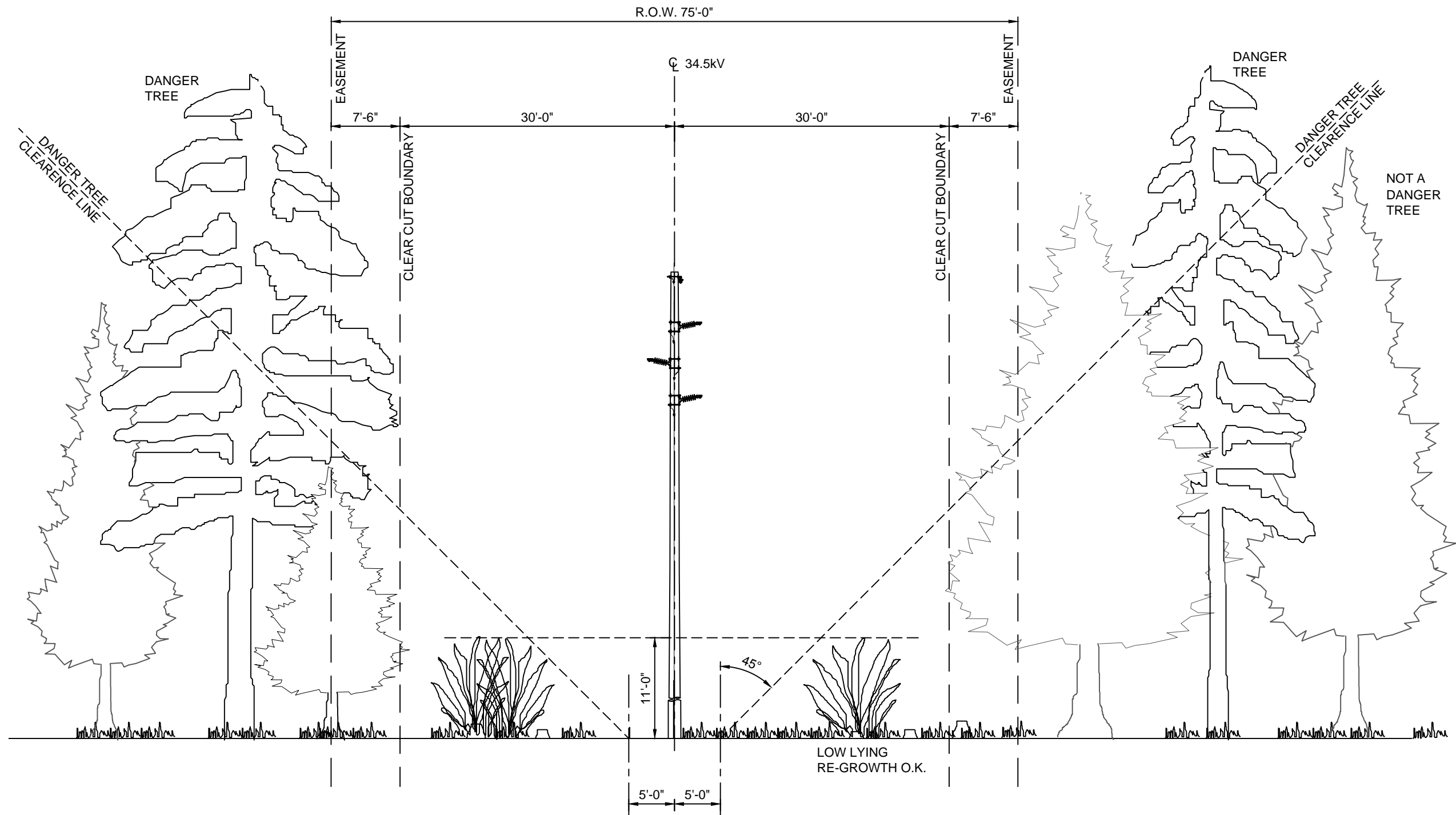
MSE CLAIMS PROPRIETARY RIGHTS TO THE INFORMATION, DESIGN, AND LAYOUT DISCLOSED HEREIN. THIS DRAWING IS ISSUED FOR INFORMATIONAL PURPOSES ONLY AND MAY NOT BE REPRODUCED, DISCLOSED TO OTHERS OR USED TO DESIGN OR CONSTRUCT ANY OF THE ITEMS SHOWN HEREIN WITHOUT THE EXPRESSED WRITTEN CONSENT OF MSE. COPYRIGHT 2017 -ALBANY, NY

MSE Engineering, LLC

A	01/18/17	ISSUED FOR INFORMATION	MJN	MJN	MJN
REV.	DATE	DESCRIPTION	DWN	CHK'D	APRV'D

BARON WINDS WIND PROJECT
 BARON WINDS, LLC.
 34.5kV OVERHEAD COLLECTION LINE
 DOUBLE CIRCUIT, SINGLE WOOD POLE
 RISER DEAD-END STRUCTURE

PROJ. No.:	2016013
SCALE:	1/8"=1'-0"
DWG. No.:	SK-002
SHEET:	03
REV.:	A



RIGHT-OF-WAY CLEARING DIAGRAM
FOR 34.5kV AERIAL COLLECTION LINE

PROPRIETARY INFORMATION

MSE CLAIMS PROPRIETARY RIGHTS TO THE INFORMATION, DESIGN, AND LAYOUT DISCLOSED HEREIN. THIS DRAWING IS ISSUED FOR INFORMATIONAL PURPOSES ONLY AND MAY NOT BE REPRODUCED, DISCLOSED TO OTHERS OR USED TO DESIGN OR CONSTRUCT ANY OF THE ITEMS SHOWN HEREIN WITHOUT THE EXPRESSED WRITTEN CONSENT OF MSE.

COPYRIGHT 2017-ALBANY, NY

PRELIMINARY
DRAWING

NOT FOR
CONSTRUCTION

REV.	DATE	DESCRIPTIONS	BY	CHK'D	APRV'D
A	01/18/17	ISSUED FOR INFORMATION	MJN	MJN	MJN

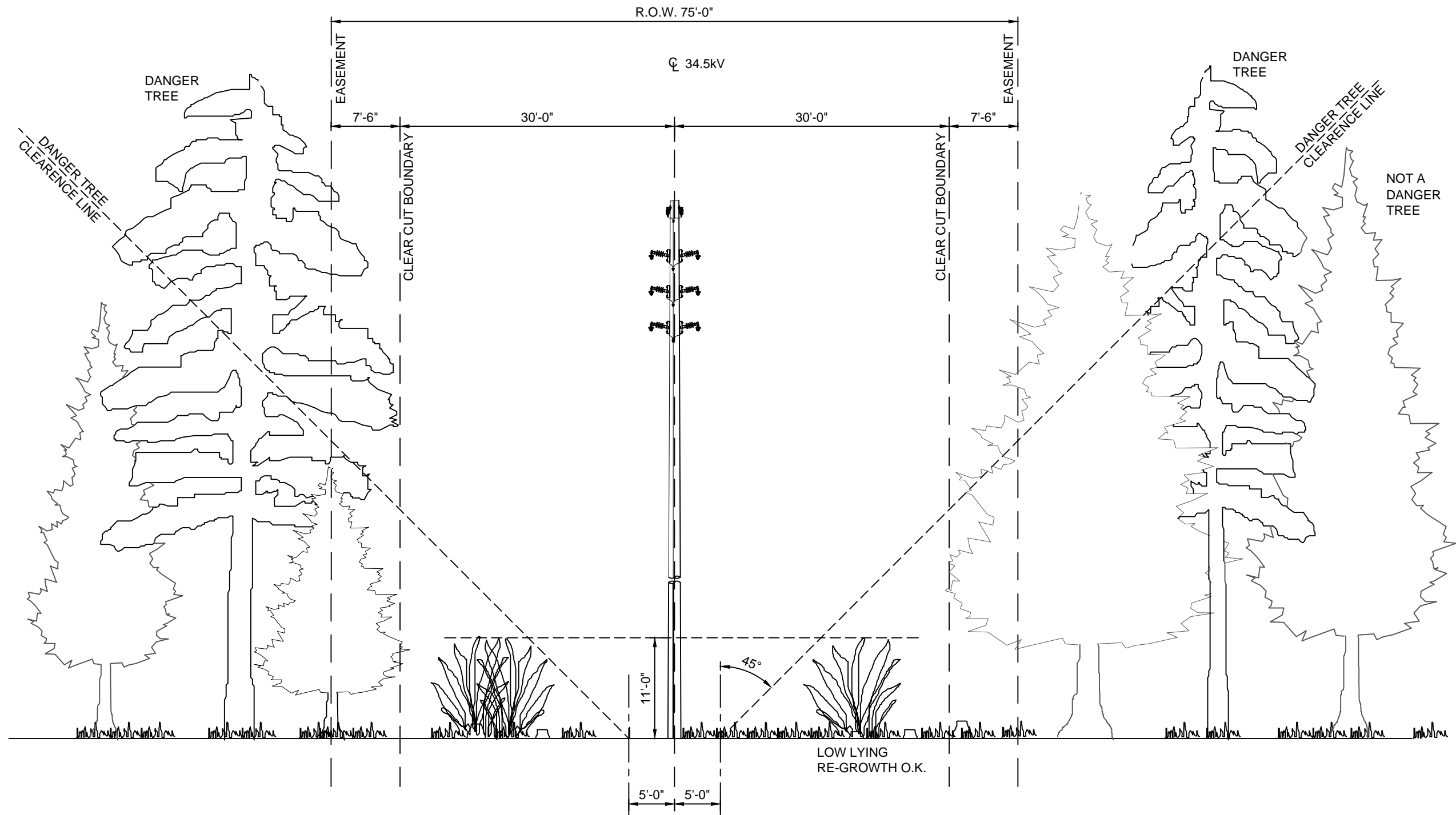
MSE Engineering, LLC

BARON WINDS WIND PROJECT
BARON WINDS, LLC.

34.5kV AERIAL COLLECTION LINE
RIGHT-OF-WAY
CLEARING DIAGRAM

DATE:
1/18/17

PROJ. No.:	2016013	SCALE:	NONE
DWG. No.:	SK-003	SHEET:	01
		REV.:	A



RIGHT-OF-WAY CLEARING DIAGRAM
FOR 34.5kV AERIAL COLLECTION LINE - DOUBLE CIRCUIT

PROPRIETARY INFORMATION

MSE CLAIMS PROPRIETARY RIGHTS TO THE INFORMATION, DESIGN, AND LAYOUT DISCLOSED HEREIN. THIS DRAWING IS ISSUED FOR INFORMATIONAL PURPOSES ONLY AND MAY NOT BE REPRODUCED, DISCLOSED TO OTHERS OR USED TO DESIGN OR CONSTRUCT ANY OF THE ITEMS SHOWN HEREIN WITHOUT THE EXPRESSED WRITTEN CONSENT OF MSE.

COPYRIGHT 2017-ALBANY, NY

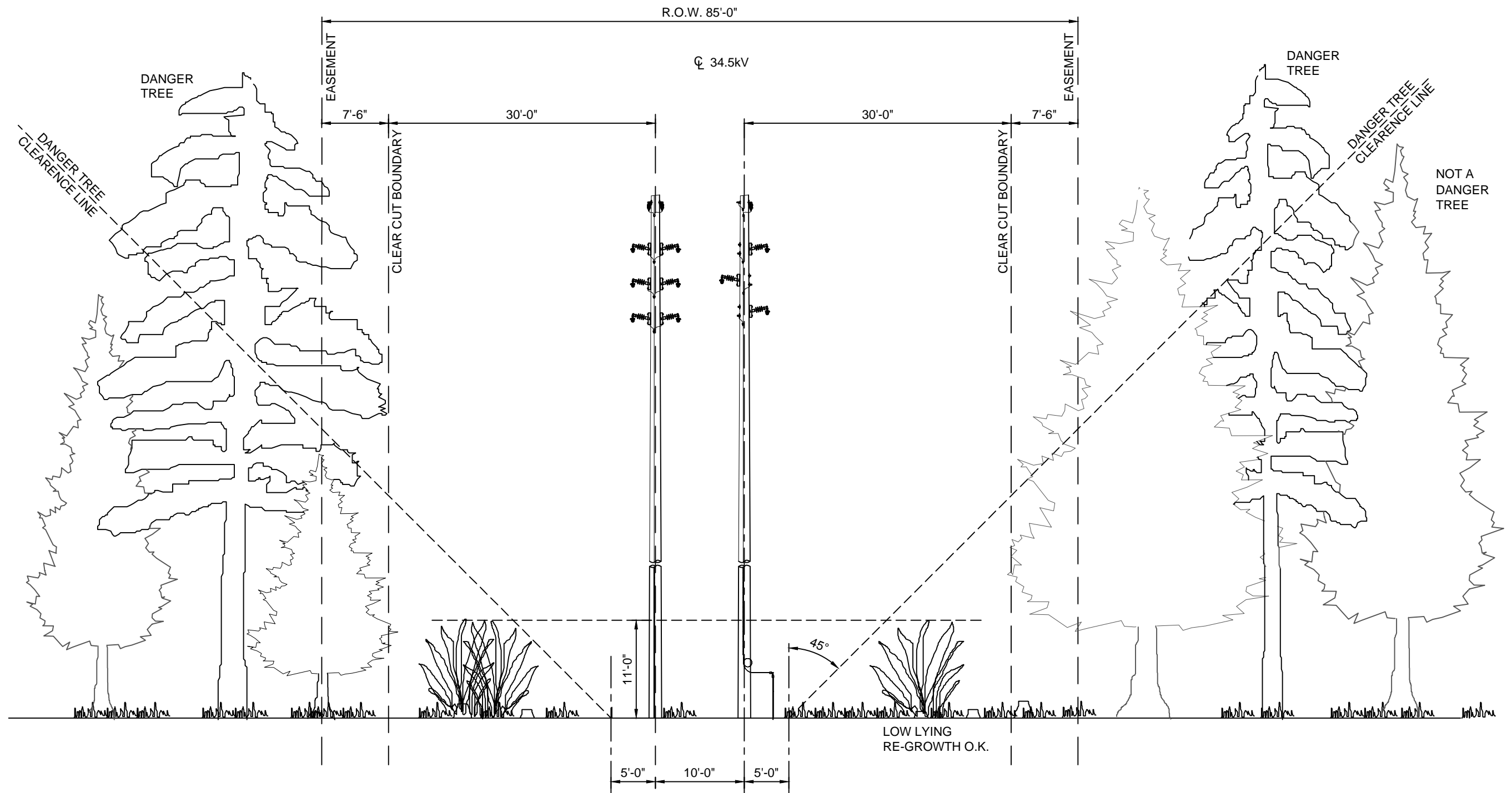
PRELIMINARY
DRAWING
NOT FOR
CONSTRUCTION

REV.	DATE	DESCRIPTIONS	BY	CHK'D	APR'D
A	01/18/17	ISSUED FOR INFORMATION	MJN	MJN	MJN

MSE Engineering, LLC

BARON WINDS WIND PROJECT BARON WINDS, LLC.		
34.5kV AERIAL COLLECTION LINE - DOUBLE CIRCUIT RIGHT-OF-WAY CLEARING DIAGRAM		

DATE: 01/18/17		
PROJ. No.:	SCALE:	
2016013	NONE	
DWG. No.:	SHEET:	REV.:
SK-003	02	A



RIGHT-OF-WAY CLEARING DIAGRAM
FOR 34.5KV AERIAL COLLECTION LINE - TRIPLE CIRCUIT

PROPRIETARY INFORMATION

MSE CLAIMS PROPRIETARY RIGHTS TO THE INFORMATION, DESIGN, AND LAYOUT DISCLOSED HEREIN. THIS DRAWING IS ISSUED FOR INFORMATIONAL PURPOSES ONLY AND MAY NOT BE REPRODUCED, DISCLOSED TO OTHERS OR USED TO DESIGN OR CONSTRUCT ANY OF THE ITEMS SHOWN HEREIN WITHOUT THE EXPRESSED WRITTEN CONSENT OF MSE.

COPYRIGHT 2017-ALBANY, NY

PRELIMINARY
DRAWING
NOT FOR
CONSTRUCTION

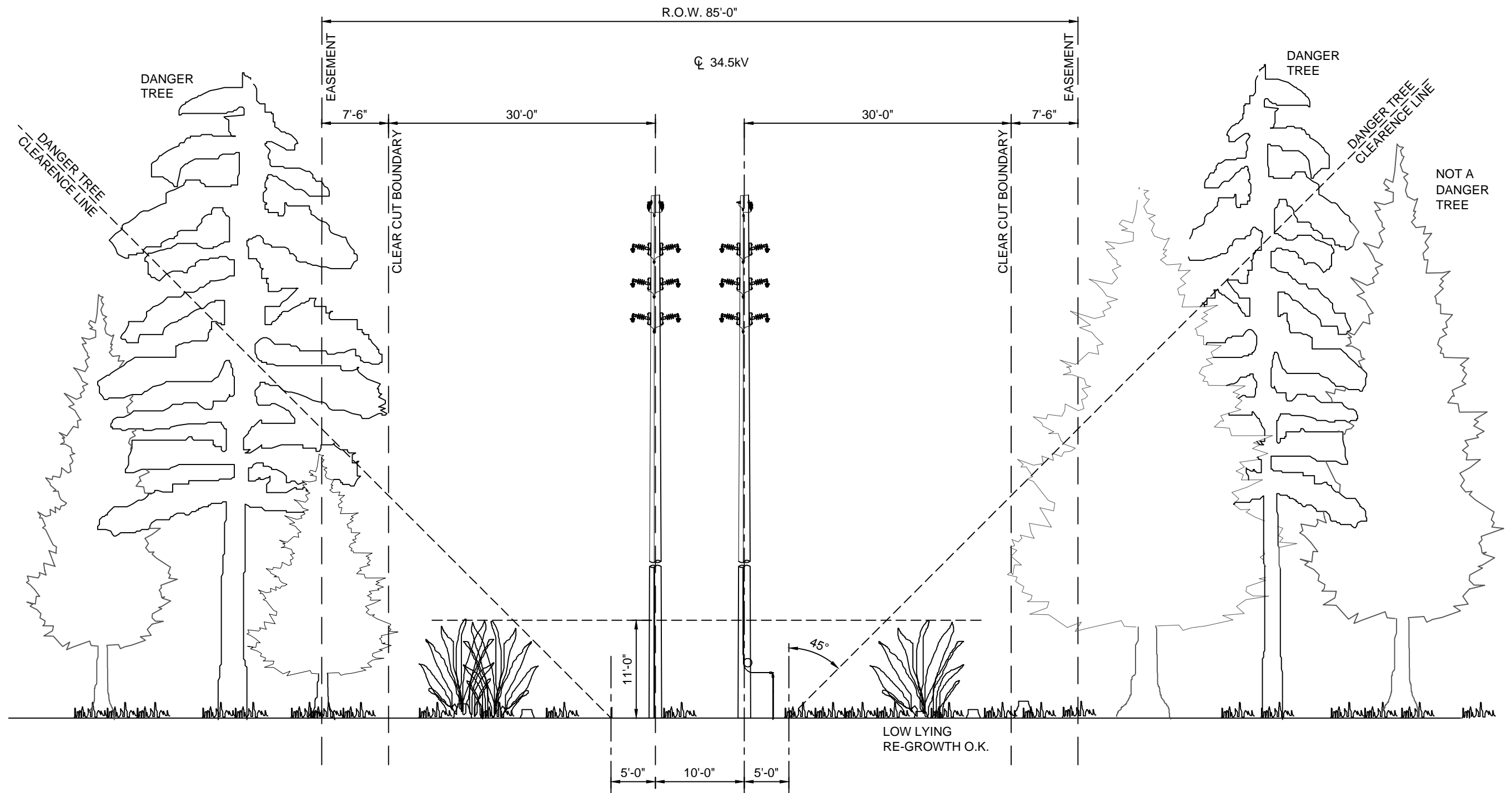
REV.	DATE	DESCRIPTIONS	BY	CHK'D	APRV'D
A	07/22/17	ISSUED FOR INFORMATION	MJN	MJN	MJN

MSE Engineering, LLC

BARON WINDS WIND PROJECT
BARON WINDS, LLC.

34.5KV AERIAL COLLECTION LINE - TRIPLE CIRCUIT
RIGHT-OF-WAY
CLEARING DIAGRAM

DATE: 07/22/17		
PROJ. No.: 2016013	SCALE: NONE	
DWG. No.: SK-003	SHEET: 03	REV.: A



RIGHT-OF-WAY CLEARING DIAGRAM
FOR 34.5kV AERIAL COLLECTION LINE - QUADRUPE CIRCUIT

PROPRIETARY INFORMATION

MSE CLAIMS PROPRIETARY RIGHTS TO THE INFORMATION, DESIGN, AND LAYOUT DISCLOSED HEREIN. THIS DRAWING IS ISSUED FOR INFORMATIONAL PURPOSES ONLY AND MAY NOT BE REPRODUCED, DISCLOSED TO OTHERS OR USED TO DESIGN OR CONSTRUCT ANY OF THE ITEMS SHOWN HEREIN WITHOUT THE EXPRESSED WRITTEN CONSENT OF MSE.

COPYRIGHT 2017-ALBANY, NY

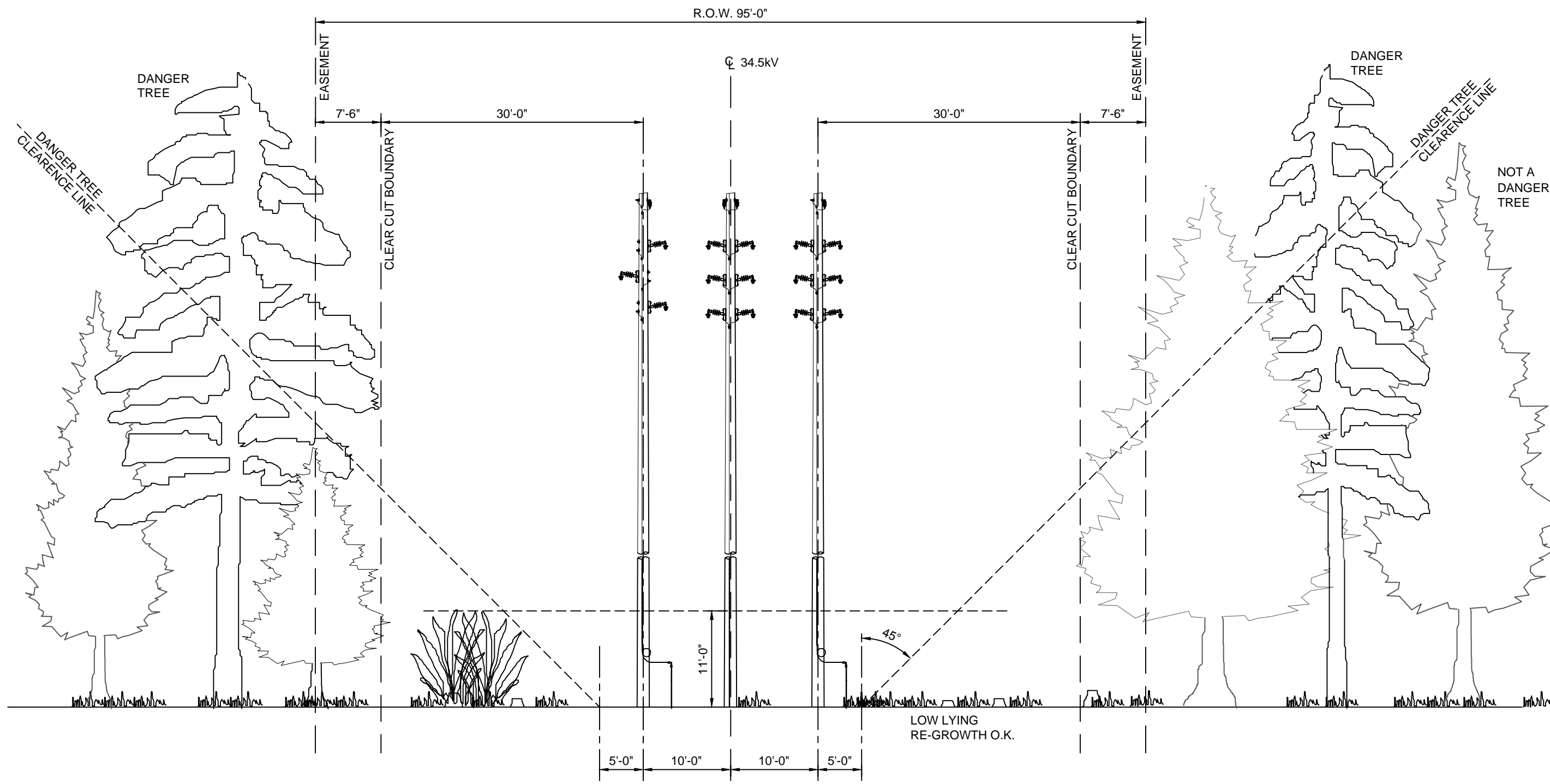
PRELIMINARY
DRAWING
NOT FOR
CONSTRUCTION

REV.	DATE	DESCRIPTIONS	BY	CHK'D	APRV'D
A	07/22/17	ISSUED FOR INFORMATION	MJN	MJN	MJN

MSE Engineering, LLC

BARON WINDS WIND PROJECT BARON WINDS, LLC.		
34.5kV AERIAL COLLECTION LINE - QUADRUPE CIRCUIT RIGHT-OF-WAY CLEARING DIAGRAM		

DATE: 07/22/17		
PROJ. No.:	SCALE:	
2016013	NONE	
DWG. No.:	SHEET:	REV.:
SK-003	04	A



**RIGHT-OF-WAY CLEARING DIAGRAM
FOR 34.5kV AERIAL COLLECTION LINE - QUINTUPLE CIRCUIT**

PROPRIETARY INFORMATION

MSE CLAIMS PROPRIETARY RIGHTS TO THE INFORMATION, DESIGN, AND LAYOUT DISCLOSED HEREIN. THIS DRAWING IS ISSUED FOR INFORMATIONAL PURPOSES ONLY AND MAY NOT BE REPRODUCED, DISCLOSED TO OTHERS OR USED TO DESIGN OR CONSTRUCT ANY OF THE ITEMS SHOWN HEREIN WITHOUT THE EXPRESSED WRITTEN CONSENT OF MSE.

COPYRIGHT 2017-ALBANY, NY

PRELIMINARY
DRAWING
NOT FOR
CONSTRUCTION

REV.	DATE	DESCRIPTIONS	BY	CHK'D	APR'D
A	08/24/17	ISSUED FOR INFORMATION	MJN	MJN	MJN

MSE Engineering, LLC

BARON WINDS WIND PROJECT
BARON WINDS, LLC.

34.5kV AERIAL COLLECTION LINE - QUINTUPLE CIRCUIT
RIGHT-OF-WAY
CLEARING DIAGRAM

DATE:

08/24/17

PROJ. No.:

2016013

SCALE:

NONE

DWG. No.:

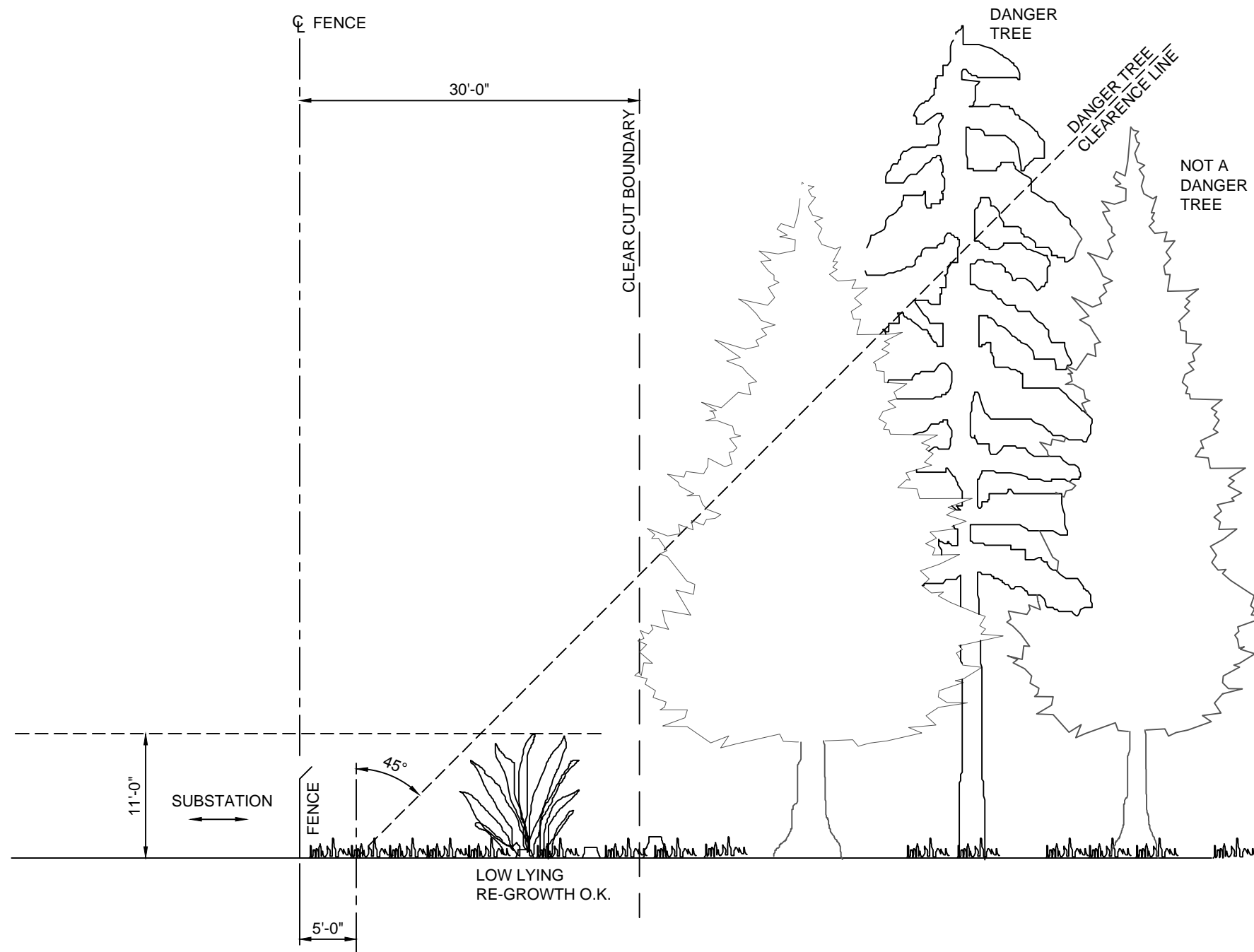
SK-003

SHEET:

05

REV.:

A



FENCE CLEARING DIAGRAM
FOR 230/34.5kV SUBSTATION

PROPRIETARY INFORMATION

MSE CLAIMS PROPRIETARY RIGHTS TO THE INFORMATION, DESIGN, AND LAYOUT DISCLOSED HEREIN. THIS DRAWING IS ISSUED FOR INFORMATIONAL PURPOSES ONLY AND MAY NOT BE REPRODUCED, DISCLOSED TO OTHERS OR USED TO DESIGN OR CONSTRUCT ANY OF THE ITEMS SHOWN HEREIN WITHOUT THE EXPRESSED WRITTEN CONSENT OF MSE.

COPYRIGHT 2017-ALBANY, NY

PRELIMINARY
DRAWING
NOT FOR
CONSTRUCTION

REV.	DATE	DESCRIPTIONS	BY	CHK'D	APRV'D
A	01/18/17	ISSUED FOR INFORMATION	MJN	MJN	MJN

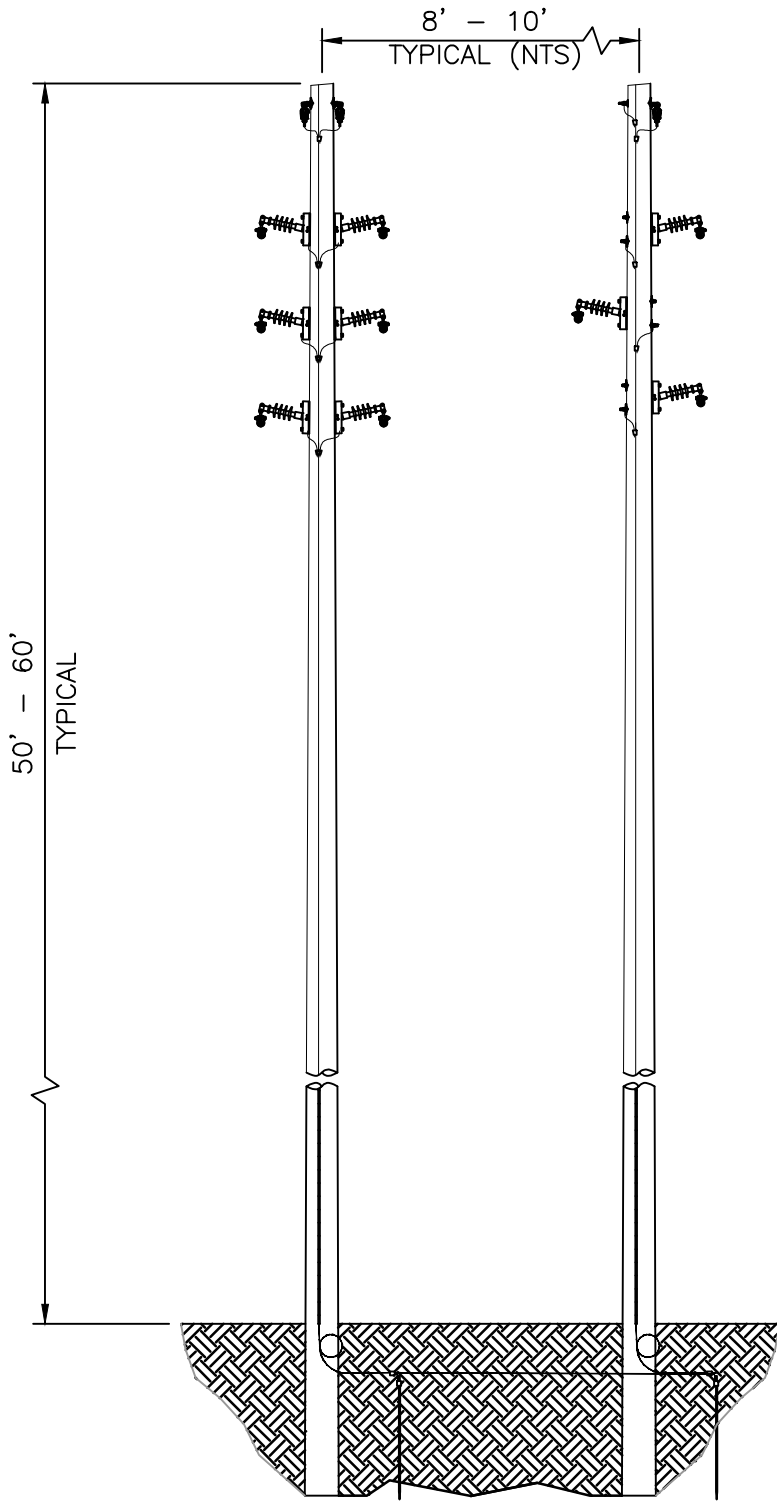
MSE Engineering, LLC

BARON WINDS WIND PROJECT
BARON WINDS, LLC.

230/34.5kV SUBSTATION
FENCE
CLEARING DIAGRAM

DATE: 01/18/17		
PROJ. No.: 2016013	SCALE: NONE	
DWG. No.: SK-004	SHEET: 01	REV.: A

AVE. SPAN LENGTH: 250 – 300 FT.
 AVE. STRUCTURE HEIGHT: 50 – 60 FT.



ELEVATION VIEW

PROPRIETARY INFORMATION

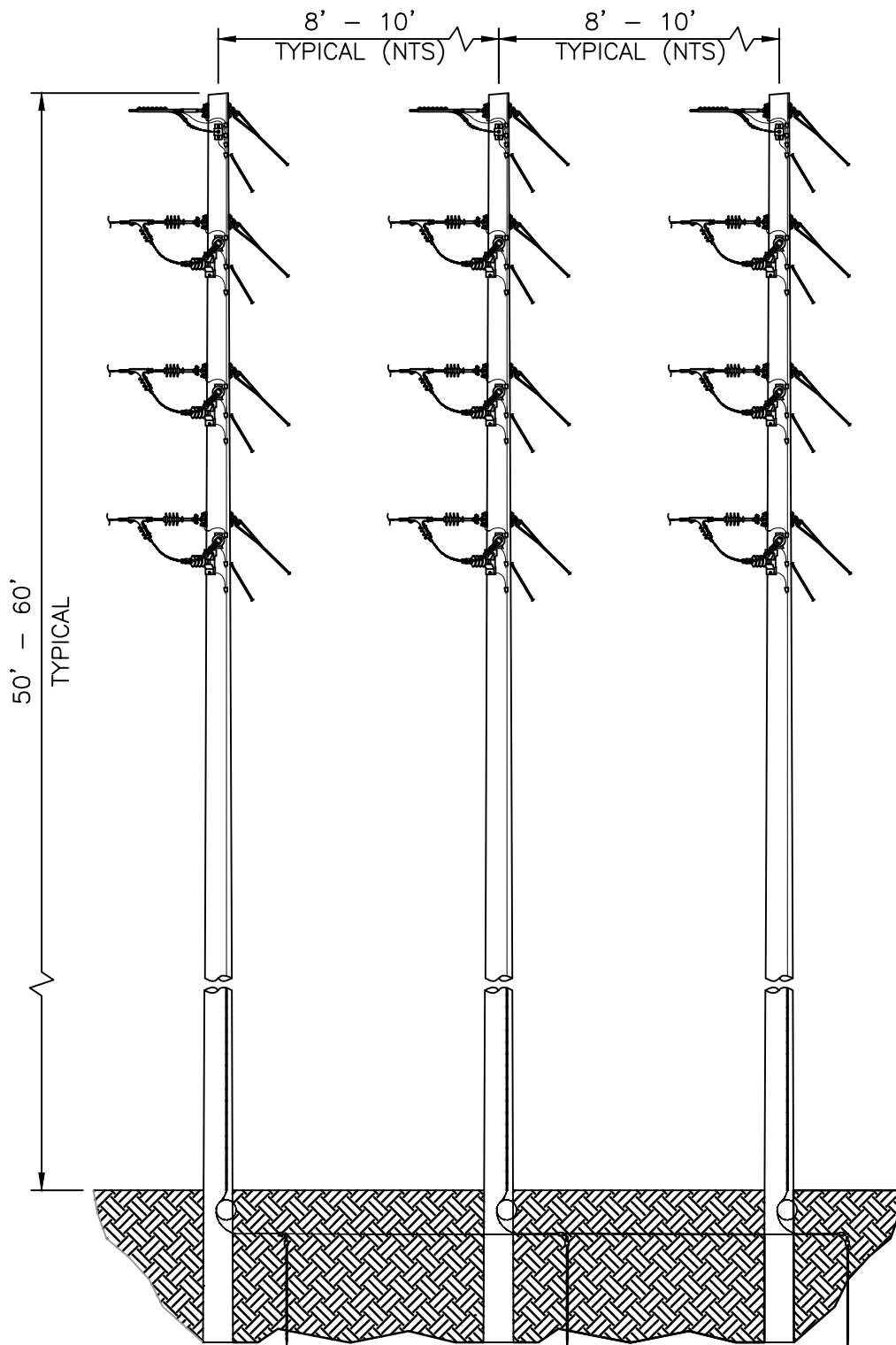
MSE CLAIMS PROPRIETARY RIGHTS TO THE INFORMATION, DESIGN, AND LAYOUT DISCLOSED HEREIN. THIS DRAWING IS ISSUED FOR INFORMATIONAL PURPOSES ONLY AND MAY NOT BE REPRODUCED, DISCLOSED TO OTHERS OR USED TO DESIGN OR CONSTRUCT ANY OF THE ITEMS SHOWN HEREIN WITHOUT THE EXPRESSED WRITTEN CONSENT OF MSE. COPYRIGHT 2017 –ALBANY, NY

MSE Engineering, LLC

A	07/22/17	ISSUED FOR INFORMATION	MJN	MJN	MJN
REV.	DATE	DESCRIPTION	DWN	CHK'D	APR'D

BARON WINDS WIND PROJECT BARON WINDS, LLC.
34.5kV OVERHEAD COLLECTION LINE TRIPLE CIRCUIT, DOUBLE WOOD POLE TANGENT STRUCTURE

PROJ. No.: 2016013		
SCALE: 1/8"=1'-0"		
DWG. No.: SK-005	SHEET: 01	REV.: A



AVE. SPAN LENGTH:
250 - 300 FT.
AVE. STRUCTURE
HEIGHT: 50 - 60 FT.

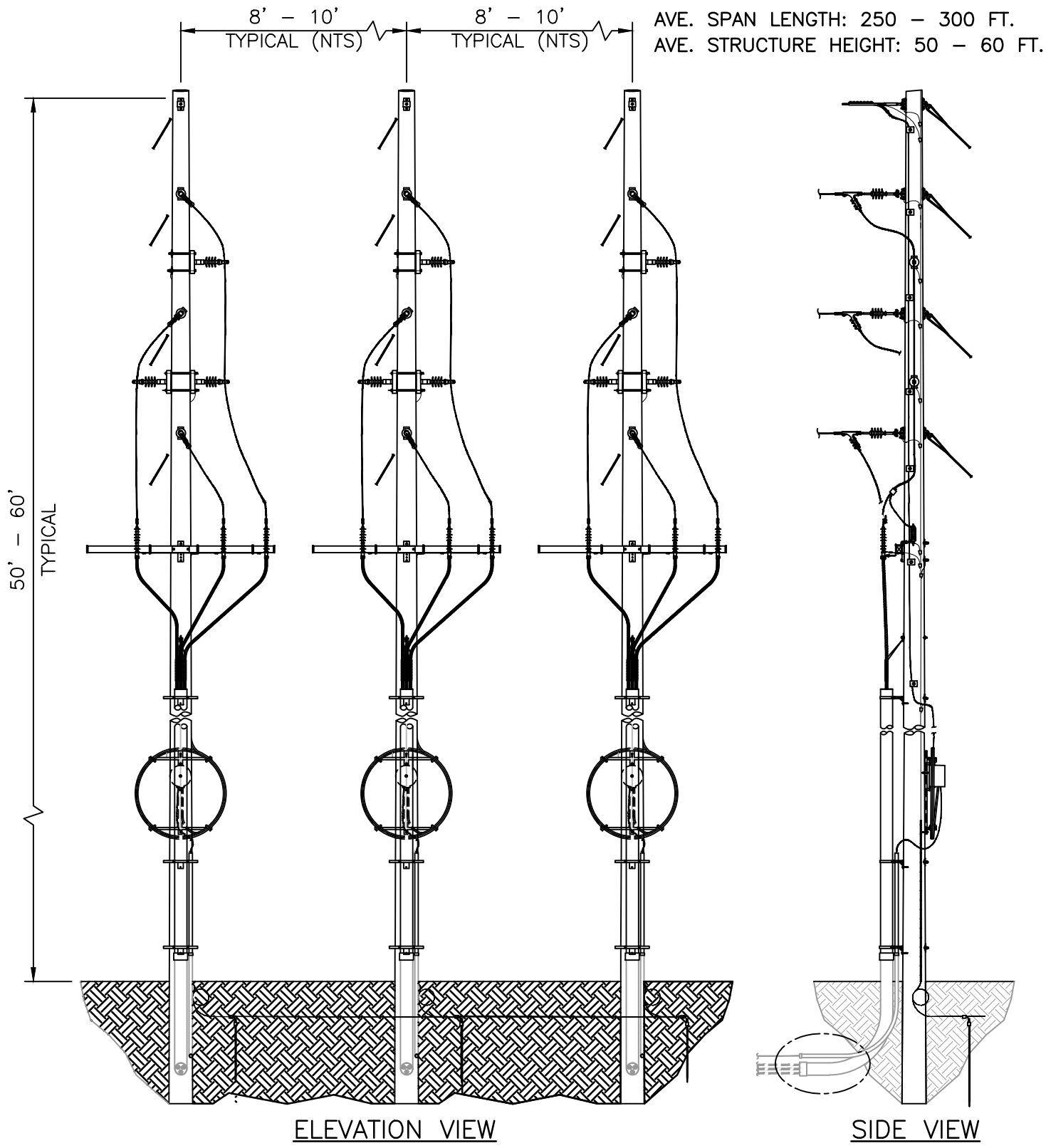
ELEVATION VIEW

PROPRIETARY INFORMATION

MSE CLAIMS PROPRIETARY RIGHTS TO THE INFORMATION, DESIGN, AND LAYOUT DISCLOSED HEREIN. THIS DRAWING IS ISSUED FOR INFORMATIONAL PURPOSES ONLY AND MAY NOT BE REPRODUCED, DISCLOSED TO OTHERS OR USED TO DESIGN OR CONSTRUCT ANY OF THE ITEMS SHOWN HEREIN WITHOUT THE EXPRESSED WRITTEN CONSENT OF MSE.
COPYRIGHT 2017 -ALBANY, NY

MSE Engineering, LLC

						BARON WINDS WIND PROJECT BARON WINDS, LLC.		PROJ. No.: 2016013		
						34.5kV OVERHEAD COLLECTION LINE TRIPLE CIRCUIT, DOUBLE WOOD POLE HEAVY ANGLE DEAD-END STRUCTURE		SCALE: 1/8"=1'-0"		
A	07/22/17	ISSUED FOR INFORMATION	MJN	MJN	MJN			DWG. No.:	SHEET:	REV.:
REV.	DATE	DESCRIPTION	DWN	CHK'D	APR'D			SK-005	02	A



PROPRIETARY INFORMATION

MSE CLAIMS PROPRIETARY RIGHTS TO THE INFORMATION, DESIGN, AND LAYOUT DISCLOSED HEREIN. THIS DRAWING IS ISSUED FOR INFORMATIONAL PURPOSES ONLY AND MAY NOT BE REPRODUCED, DISCLOSED TO OTHERS OR USED TO DESIGN OR CONSTRUCT ANY OF THE ITEMS SHOWN HEREIN WITHOUT THE EXPRESSED WRITTEN CONSENT OF MSE.
COPYRIGHT 2017 -ALBANY, NY

MSE Engineering, LLC

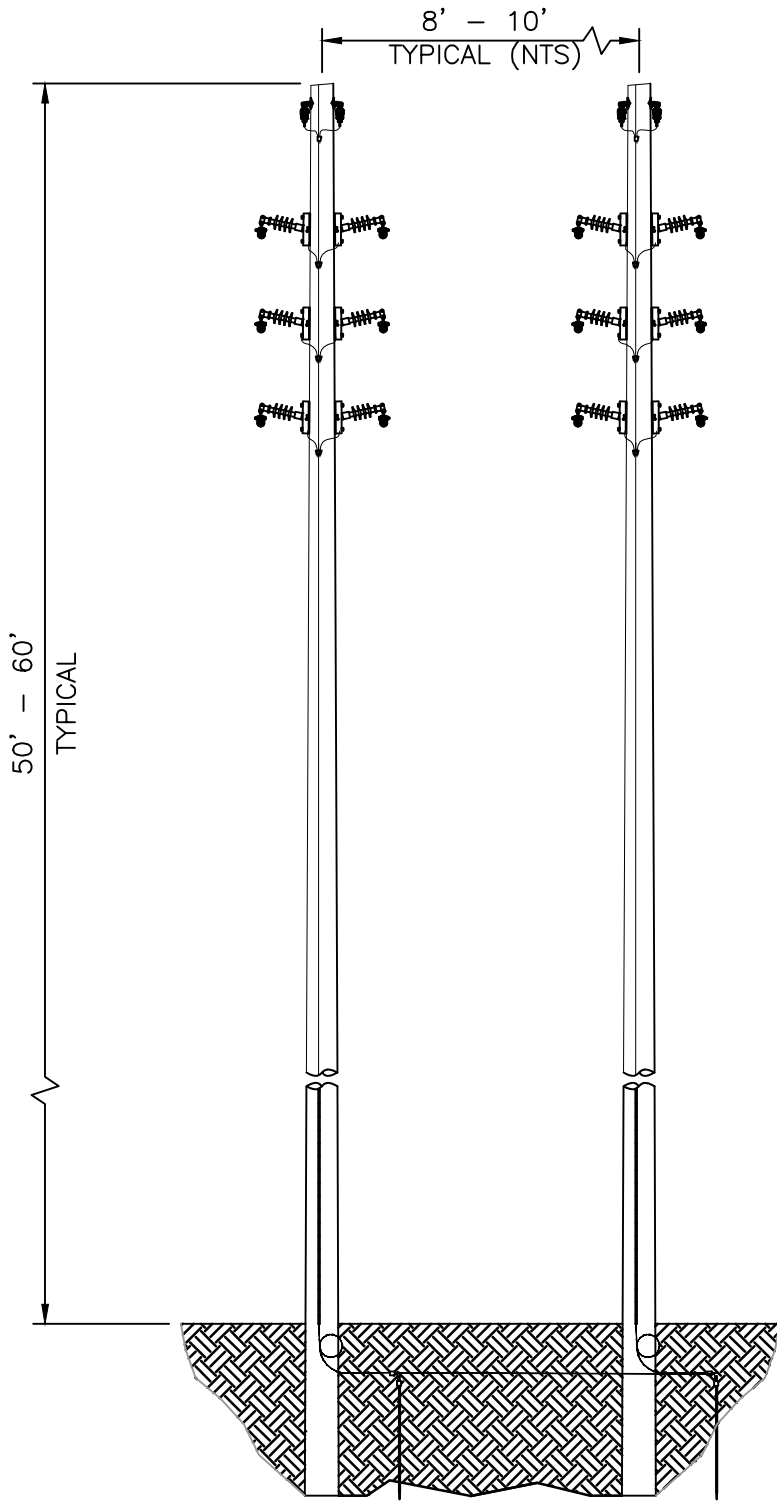
A	07/22/17	ISSUED FOR INFORMATION	MJN	MJN	MJN
REV.	DATE	DESCRIPTION	DWN	CHK'D	APRV'D

BARON WINDS WIND PROJECT
BARON WINDS, LLC.

34.5kV OVERHEAD COLLECTION LINE
TRIPLE CIRCUIT, DOUBLE WOOD POLE
RISER DEAD-END STRUCTURE

PROJ. No.:	2016013
SCALE:	1/8"=1'-0"
DWG. No.:	SK-005
SHEET:	03
REV.:	A

AVE. SPAN LENGTH: 250 – 300 FT.
 AVE. STRUCTURE HEIGHT: 50 – 60 FT.



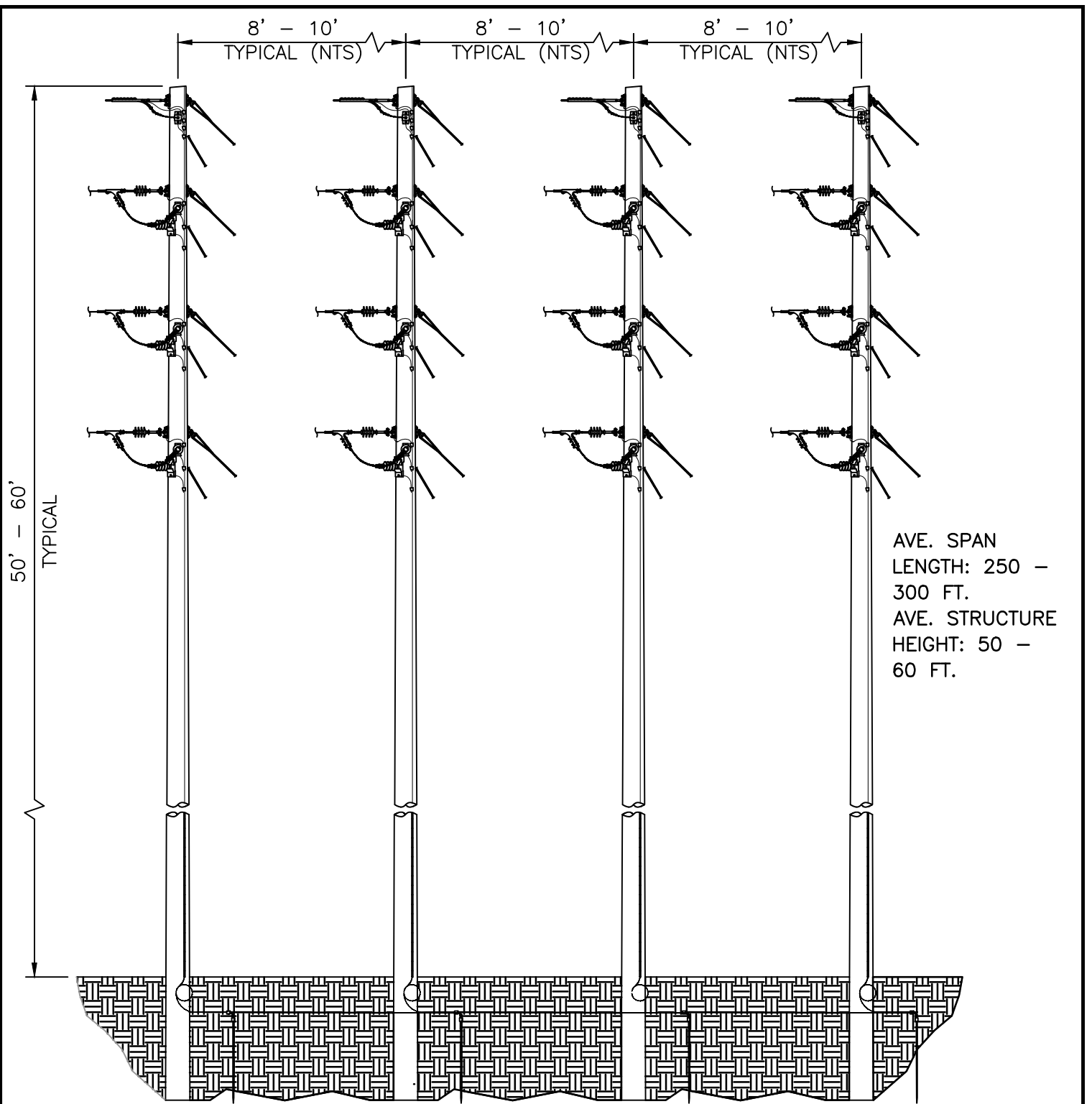
ELEVATION VIEW

PROPRIETARY INFORMATION

MSE CLAIMS PROPRIETARY RIGHTS TO THE INFORMATION, DESIGN, AND LAYOUT DISCLOSED HEREIN. THIS DRAWING IS ISSUED FOR INFORMATIONAL PURPOSES ONLY AND MAY NOT BE REPRODUCED, DISCLOSED TO OTHERS OR USED TO DESIGN OR CONSTRUCT ANY OF THE ITEMS SHOWN HEREIN WITHOUT THE EXPRESSED WRITTEN CONSENT OF MSE. COPYRIGHT 2017 –ALBANY, NY

MSE Engineering, LLC

						BARON WINDS WIND PROJECT		PROJ. No.:		
						BARON WINDS, LLC.		2016013		
						34.5kV OVERHEAD COLLECTION LINE		SCALE:		
						QUADRUPLE CIRCUIT, DOUBLE WOOD POLE		1/8"=1'-0"		
						TANGENT STRUCTURE		DWG. No.:	SHEET:	REV.:
A	07/22/17	ISSUED FOR INFORMATION			M/JN	M/JN	M/JN	SK-006	01	A
REV.	DATE	DESCRIPTION			DWN	CHK'D	APR'D			



AVE. SPAN
LENGTH: 250 -
300 FT.
AVE. STRUCTURE
HEIGHT: 50 -
60 FT.

ELEVATION VIEW

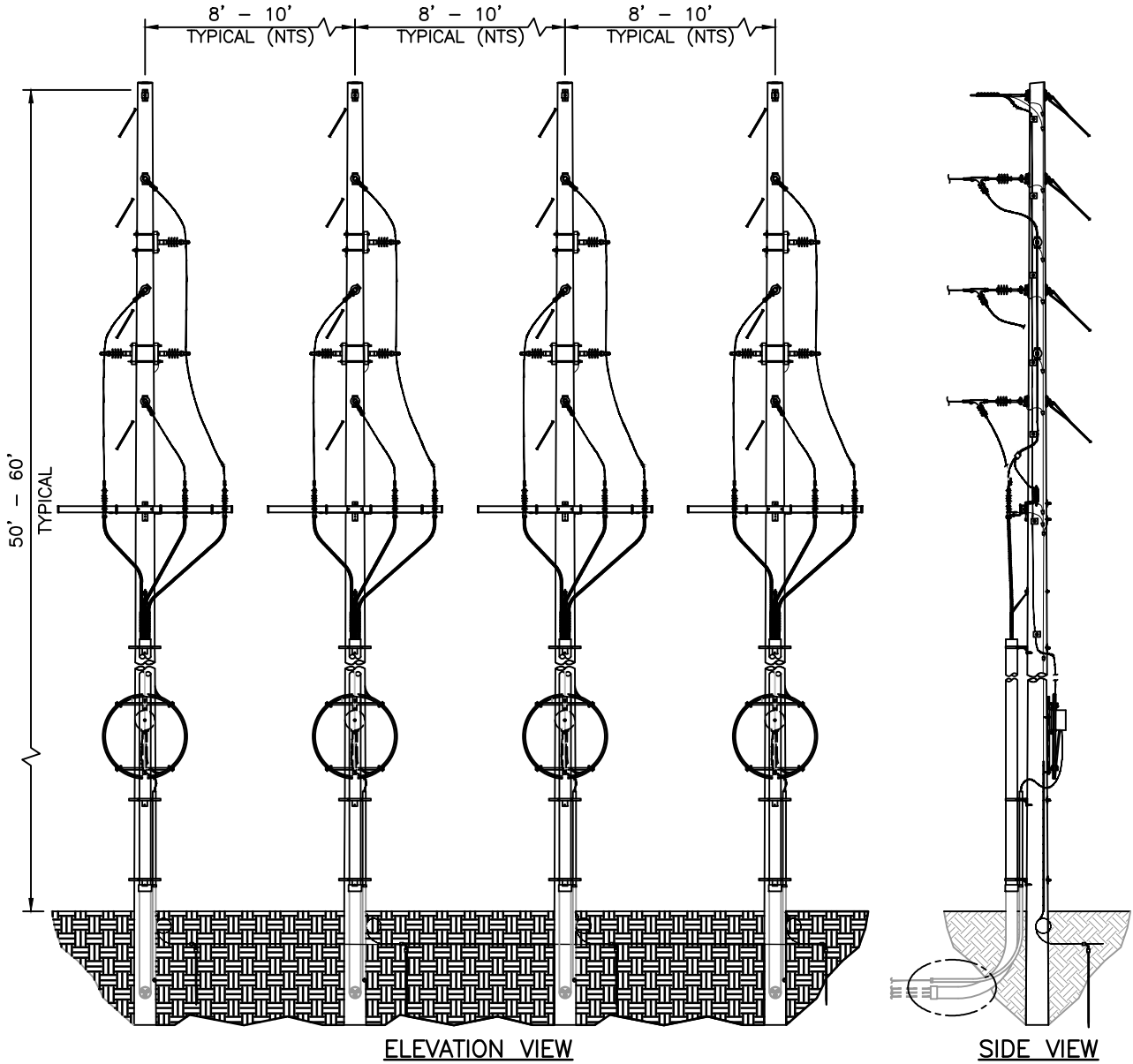
PROPRIETARY INFORMATION

MSE CLAIMS PROPRIETARY RIGHTS TO THE INFORMATION, DESIGN, AND LAYOUT DISCLOSED HEREIN. THIS DRAWING IS ISSUED FOR INFORMATIONAL PURPOSES ONLY AND MAY NOT BE REPRODUCED, DISCLOSED TO OTHERS OR USED TO DESIGN OR CONSTRUCT ANY OF THE ITEMS SHOWN HEREIN WITHOUT THE EXPRESSED WRITTEN CONSENT OF MSE.
COPYRIGHT 2017 -ALBANY, NY

MSE Engineering, LLC

						BARON WINDS WIND PROJECT BARON WINDS, LLC.		PROJ. No.: 2016013		
						34.5kV OVERHEAD COLLECTION LINE TRIPLE CIRCUIT, DOUBLE WOOD POLE HEAVY ANGLE DEAD-END STRUCTURE		SCALE: 1/8"=1'-0"		
A	07/22/17	ISSUED FOR INFORMATION	MJN	MJN	MJN			DWG. No.:	SHEET:	REV.:
REV.	DATE	DESCRIPTION	DWN	CHK'D	APRV'D			SK-006	02	A

AVE. SPAN LENGTH: 250 – 300 FT.
 AVE. STRUCTURE HEIGHT: 50 – 60 FT.

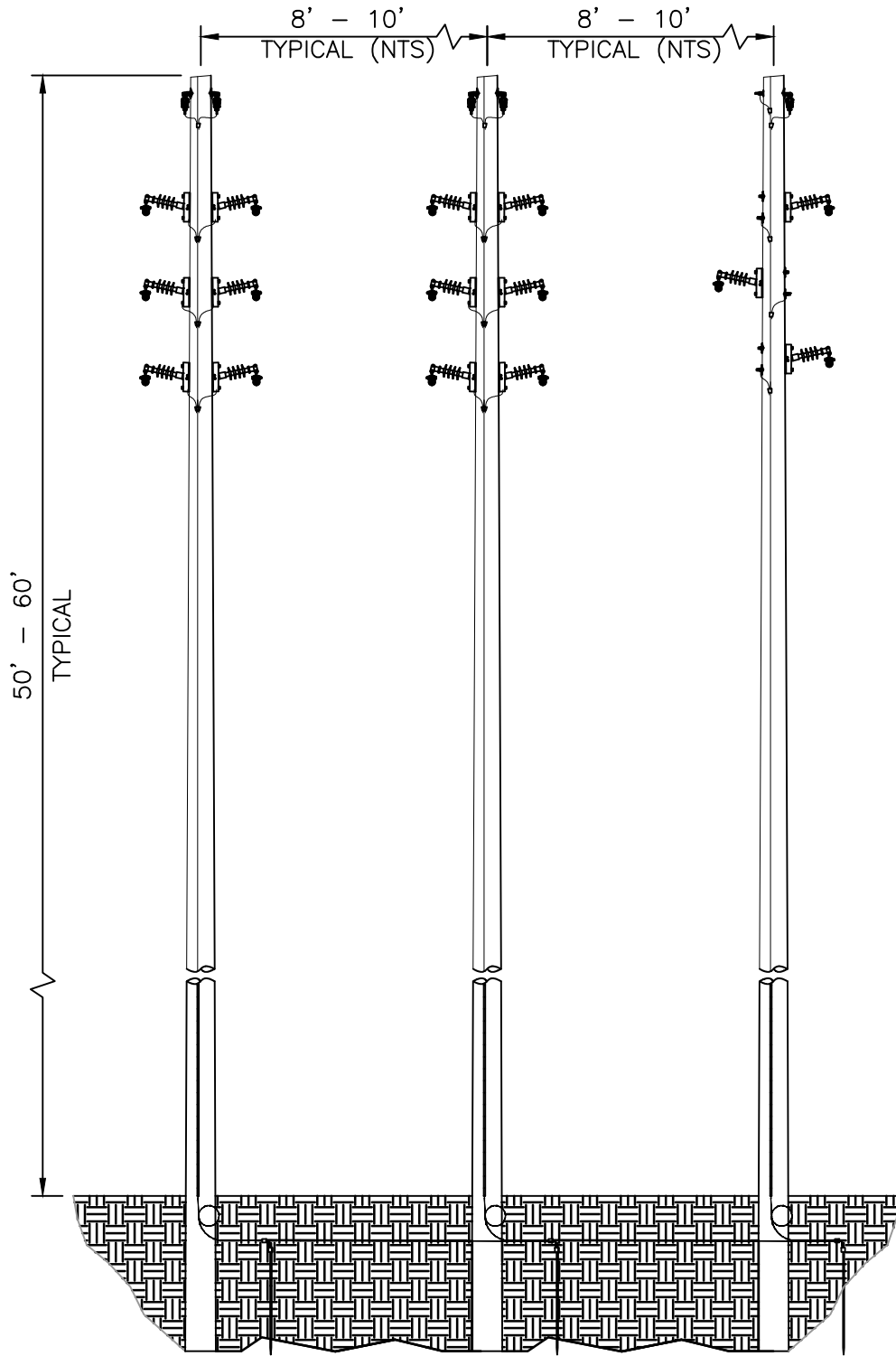


PROPRIETARY INFORMATION

MSE CLAIMS PROPRIETARY RIGHTS TO THE INFORMATION, DESIGN, AND LAYOUT DISCLOSED HEREIN. THIS DRAWING IS ISSUED FOR INFORMATIONAL PURPOSES ONLY AND MAY NOT BE REPRODUCED, DISCLOSED TO OTHERS OR USED TO DESIGN OR CONSTRUCT ANY OF THE ITEMS SHOWN HEREIN WITHOUT THE EXPRESSED WRITTEN CONSENT OF MSE. COPYRIGHT 2017 –ALBANY, NY

MSE Engineering, LLC

						BARON WINDS WIND PROJECT BARON WINDS, LLC.		PROJ. No.: 2016013		
						34.5kV OVERHEAD COLLECTION LINE TRIPLE CIRCUIT, DOUBLE WOOD POLE RISER DEAD-END STRUCTURE		SCALE: 3/32"=1'-0"		
A	07/22/17	ISSUED FOR INFORMATION	MJN	MJN	MJN			DWG. No.:	SHEET:	REV.:
REV.	DATE	DESCRIPTION	DWN	CHK'D	APRV'D			SK-006	03	A



AVE. SPAN LENGTH:
250 - 300 FT.

AVE. STRUCTURE HEIGHT:
50 - 60 FT.

ELEVATION VIEW

PROPRIETARY INFORMATION

MSE CLAIMS PROPRIETARY RIGHTS TO THE INFORMATION, DESIGN, AND LAYOUT DISCLOSED HEREIN. THIS DRAWING IS ISSUED FOR INFORMATIONAL PURPOSES ONLY AND MAY NOT BE REPRODUCED, DISCLOSED TO OTHERS OR USED TO DESIGN OR CONSTRUCT ANY OF THE ITEMS SHOWN HEREIN WITHOUT THE EXPRESSED WRITTEN CONSENT OF MSE.
COPYRIGHT 2017 -ALBANY, NY

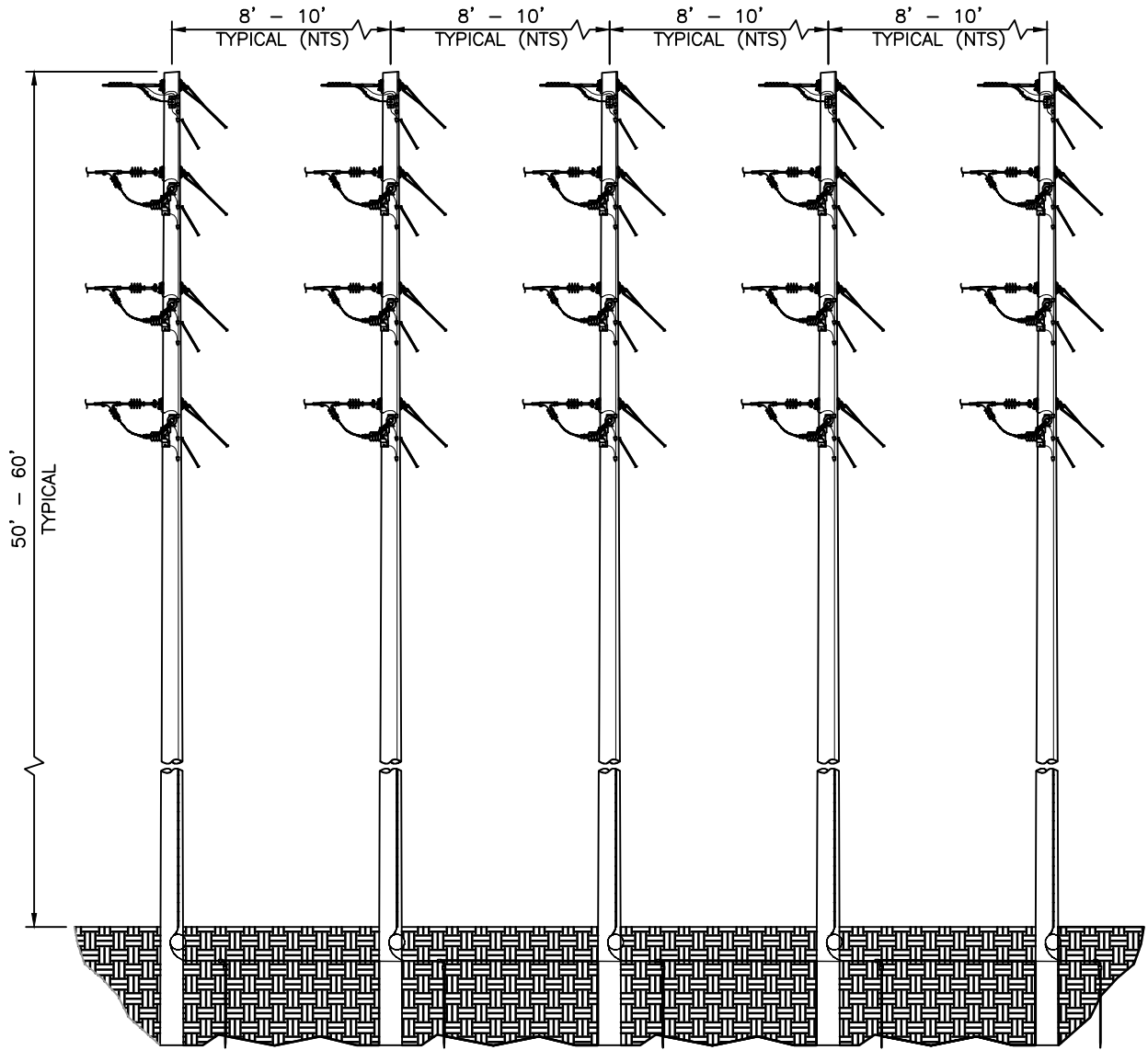
MSE Engineering, LLC

REV.	DATE	DESCRIPTION	DWN	CHK'D	APRV'D
A	08/24/17	ISSUED FOR INFORMATION	MJN	MJN	MJN

BARON WINDS WIND PROJECT BARON WINDS, LLC.
34.5kV OVERHEAD COLLECTION LINE QUINTUPLE CIRCUIT, TRIPLE WOOD POLE TANGENT STRUCTURE

PROJ. No.: 2016013
SCALE: 1/8" = 1'-0"
DWG. No.: SK-007
SHEET: 01
REV.: A

AVE. SPAN LENGTH:
250 – 300 FT.
AVE. STRUCTURE
HEIGHT: 50 – 60 FT.



ELEVATION VIEW

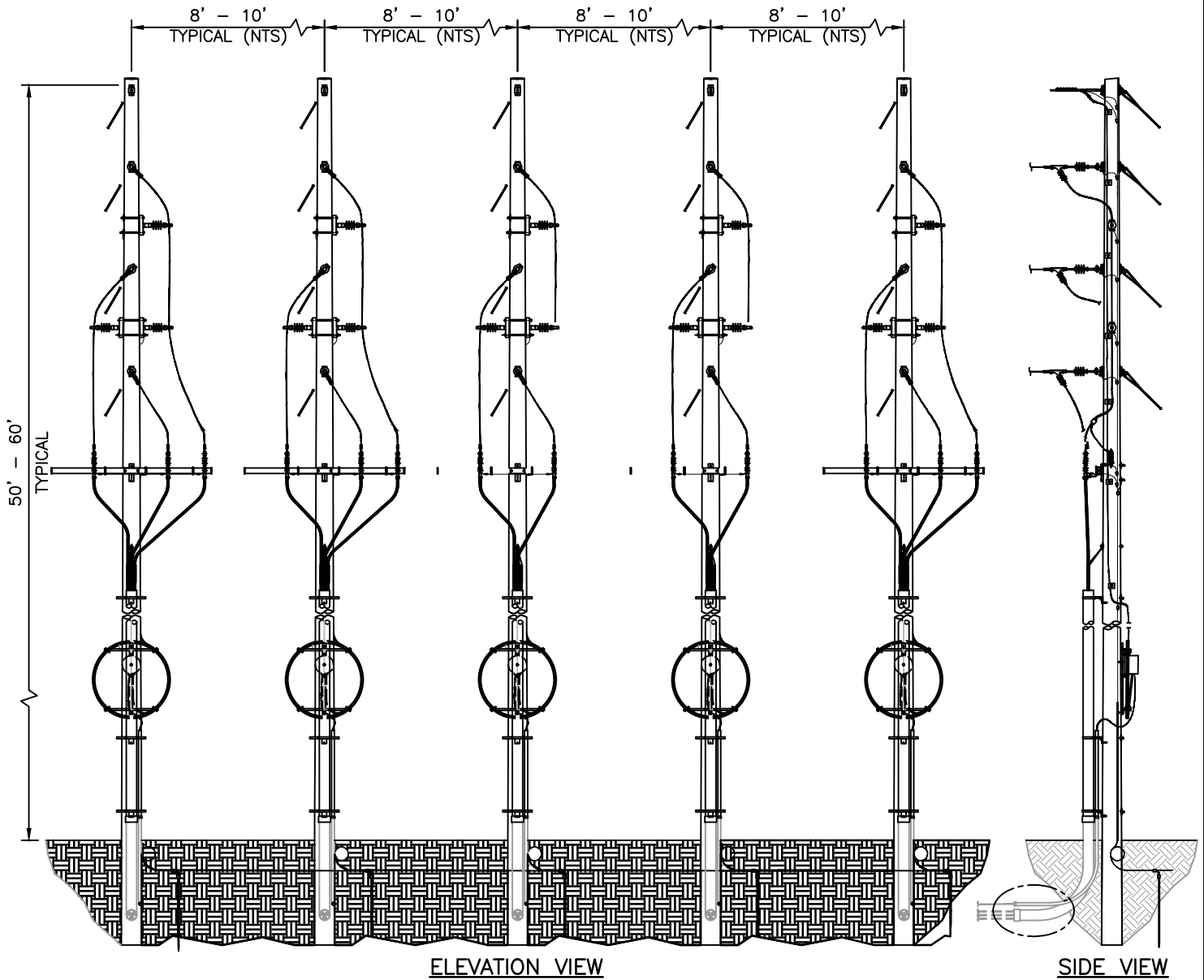
PROPRIETARY INFORMATION

MSE CLAIMS PROPRIETARY RIGHTS TO THE INFORMATION, DESIGN, AND LAYOUT DISCLOSED HEREIN. THIS DRAWING IS ISSUED FOR INFORMATIONAL PURPOSES ONLY AND MAY NOT BE REPRODUCED, DISCLOSED TO OTHERS OR USED TO DESIGN OR CONSTRUCT ANY OF THE ITEMS SHOWN HEREIN WITHOUT THE EXPRESSED WRITTEN CONSENT OF MSE.
COPYRIGHT 2017 -ALBANY, NY

MSE Engineering, LLC

						BARON WINDS WIND PROJECT BARON WINDS, LLC.		PROJ. No.: 2016013		
						34.5kV OVERHEAD COLLECTION LINE QUINTUPLE CIRCUIT, QUINTUPLE WOOD POLE HEAVY ANGLE DEAD-END STRUCTURE		SCALE: 3/32"=1'-0"		
A	08/24/17	ISSUED FOR INFORMATION	MJN	MJN	MJN			DWG. No.:	SHEET:	REV.:
REV.	DATE	DESCRIPTION	DWN	CHK'D	APRV'D			SK-007	02	A

AVE. SPAN LENGTH: 250 – 300 FT.
 AVE. STRUCTURE HEIGHT: 50 – 60 FT.



ELEVATION VIEW

SIDE VIEW

PROPRIETARY INFORMATION

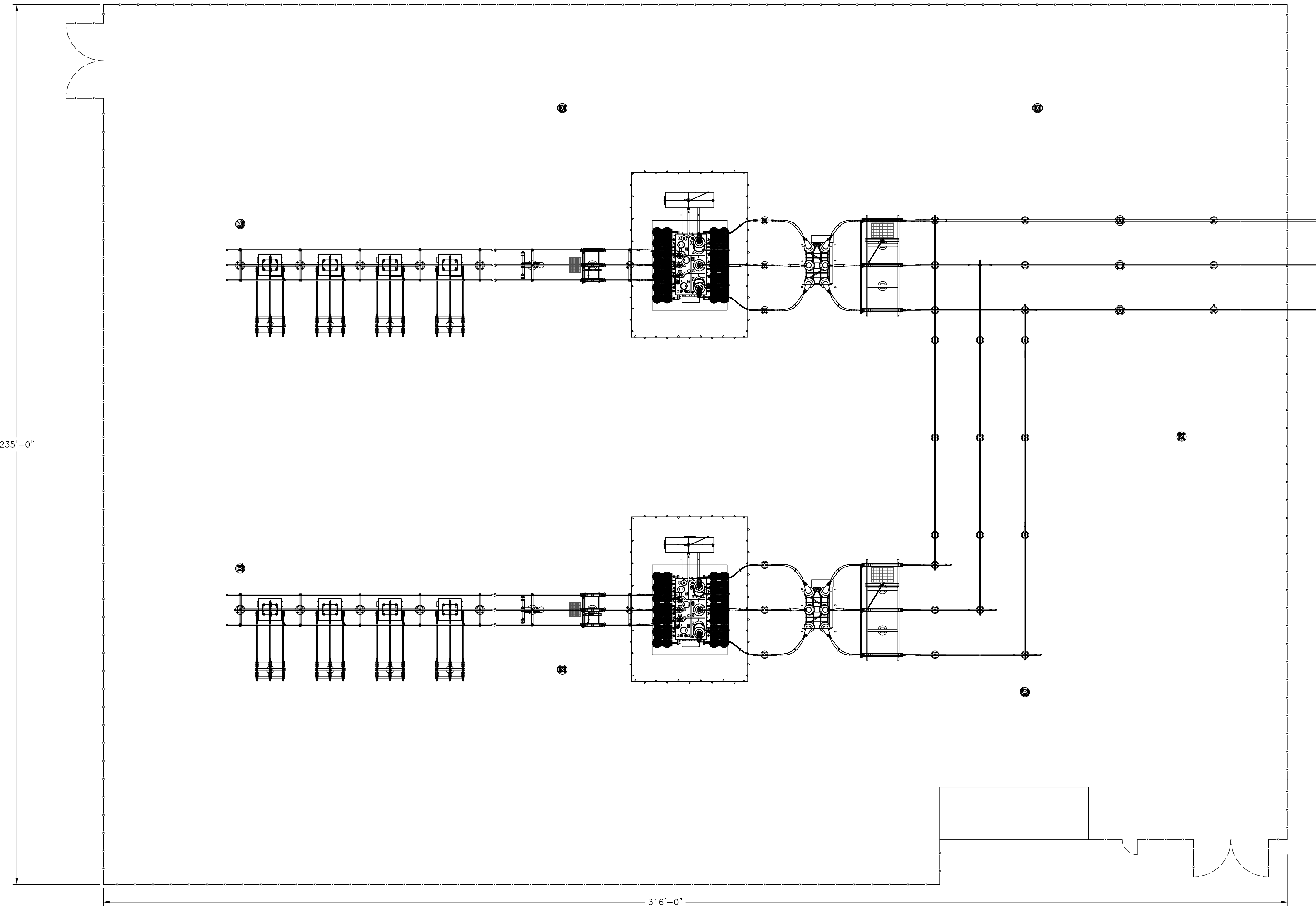
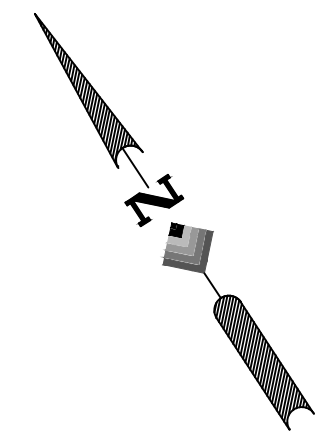
MSE CLAIMS PROPRIETARY RIGHTS TO THE INFORMATION, DESIGN, AND LAYOUT DISCLOSED HEREIN. THIS DRAWING IS ISSUED FOR INFORMATIONAL PURPOSES ONLY AND MAY NOT BE REPRODUCED, DISCLOSED TO OTHERS OR USED TO DESIGN OR CONSTRUCT ANY OF THE ITEMS SHOWN HEREIN WITHOUT THE EXPRESSED WRITTEN CONSENT OF MSE. COPYRIGHT 2017 -ALBANY, NY

MSE Engineering, LLC

						BARON WINDS WIND PROJECT BARON WINDS, LLC.		PROJ. No.: 2016013	
						34.5kV OVERHEAD COLLECTION LINE QUINTUPLE CIRCUIT, QUINTUPLE WOOD POLE RISER DEAD-END STRUCTURE		SCALE: 3/32"=1'-0"	
A	08/24/17	ISSUED FOR INFORMATION	MJN	MJN	MJN	DWG. No.: SK-007		SHEET: 03	REV.: A
REV.	DATE	DESCRIPTION	DWN	CHK'D	APRV'D				

A | B | C | D | E | F | G | H | I | J

1
2
3
4
5
6
7

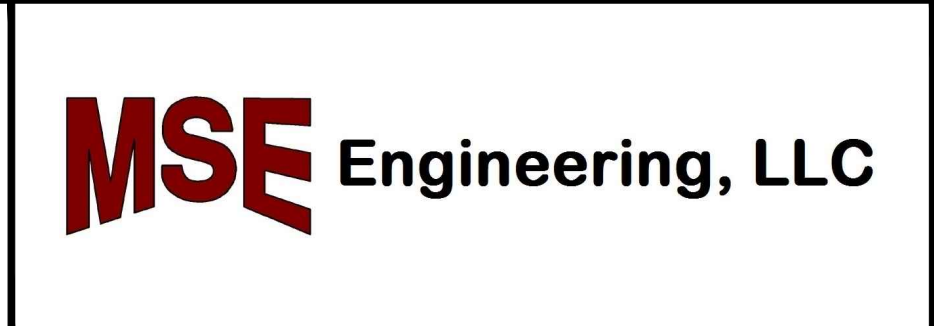


1
2
3
4
5
6
7

PROPRIETARY INFORMATION
 MSE CLAIMS PROPRIETARY RIGHTS TO THE INFORMATION, DESIGN, AND LAYOUT DISCLOSED HEREIN. THIS DRAWING IS ISSUED FOR INFORMATIONAL PURPOSES ONLY AND MAY NOT BE REPRODUCED, DISCLOSED TO OTHERS OR USED TO DESIGN OR CONSTRUCT ANY OF THE ITEMS SHOWN HEREIN WITHOUT THE EXPRESSED WRITTEN CONSENT OF MSE.
 COPYRIGHT 2017 - ALBANY, NY

REV.	DATE	DESCRIPTIONS	BY	CHK'D	APRV'D	REV.	DATE	DESCRIPTIONS	BY	CHK'D	APRV'D
						A	1/18/17	ISSUED FOR INFORMATION	MJN	MJN	MJN

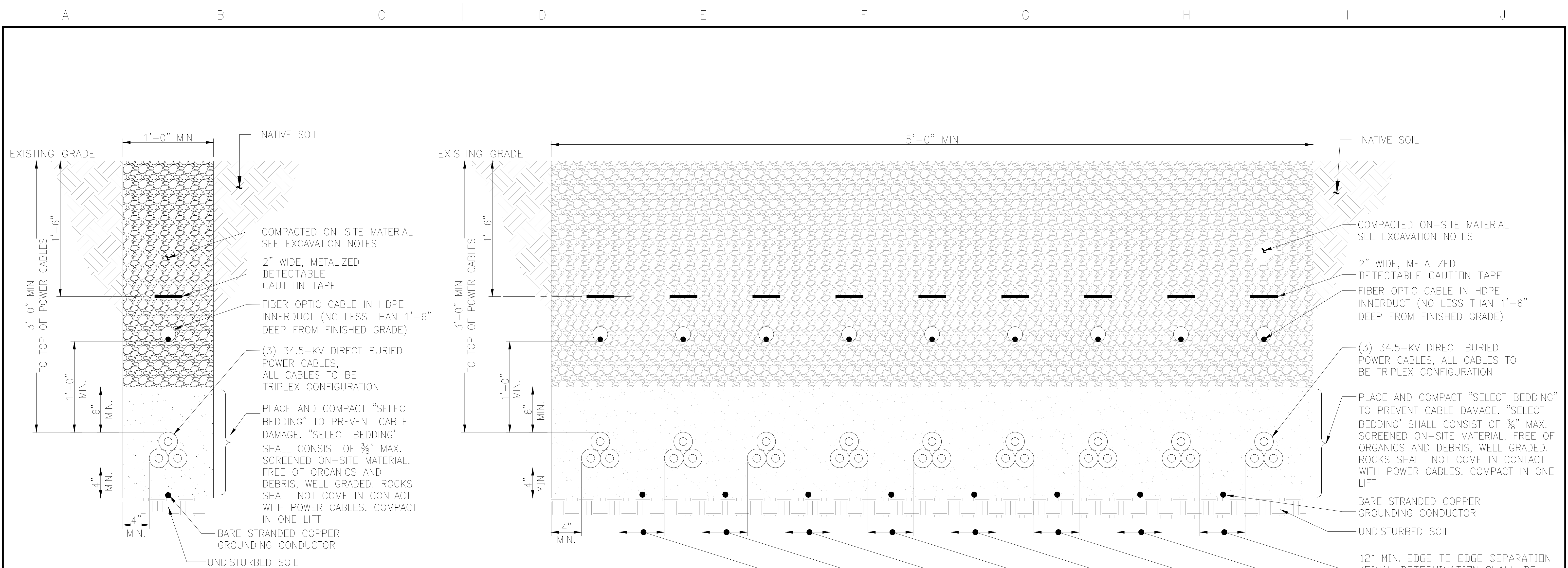
PRELIMINARY
 DRAWING
 NOT FOR
 CONSTRUCTION



BARON WINDS WIND PROJECT
 BARON WINDS, LLC
 230/34.5 KV COLLECTION SUBSTATION
 GENERAL ARRANGMENT
 PLAN VIEW

PLOT SCALE:		ARCH 0 1 2	
ENGRG 0 1 2			
PROJ. NO.:	SCALE:		
2016013	NONE		
DWG. NO.:	SHEET:	REV.:	
SK-101	01	A	

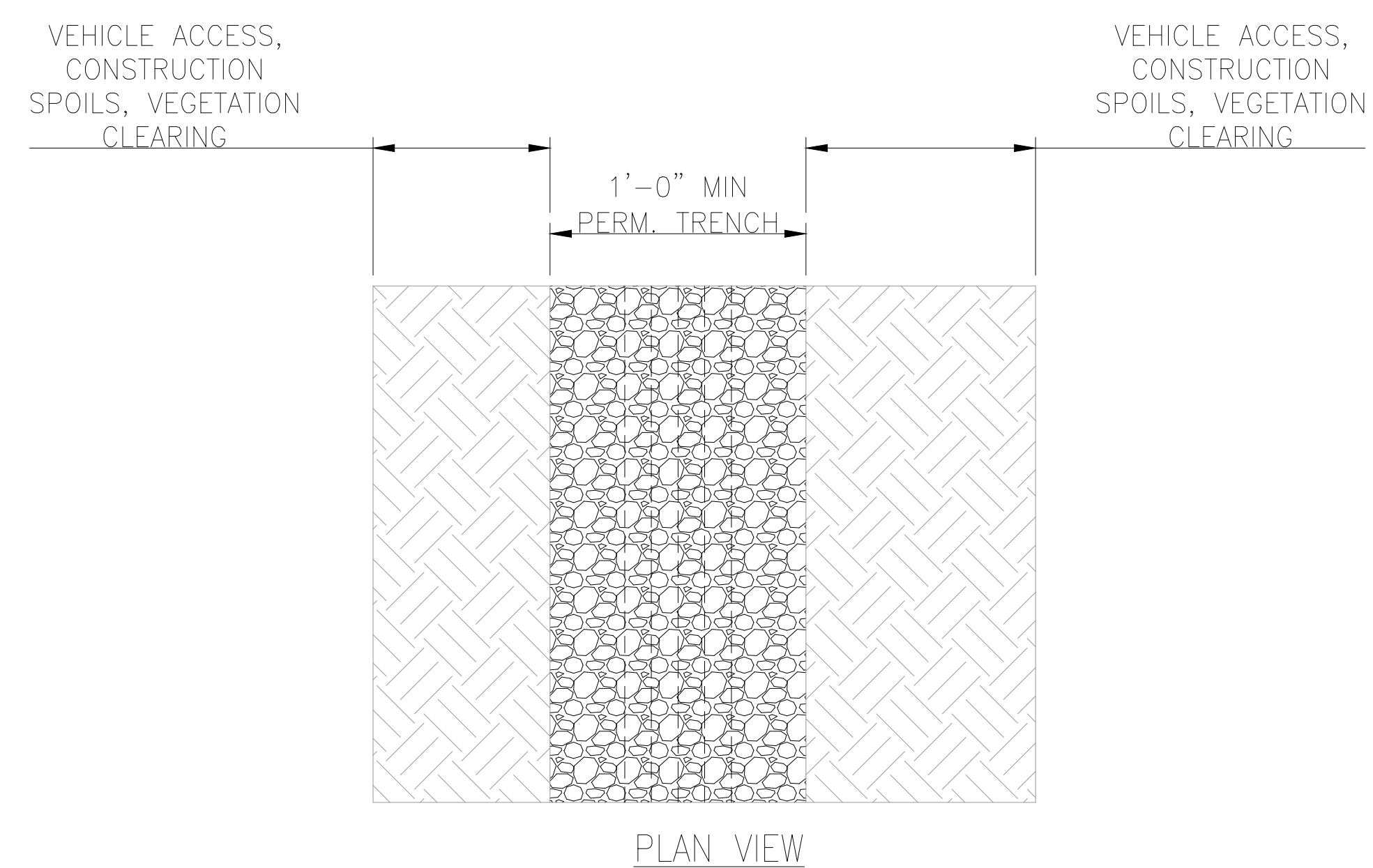
A | B | C | D | E | F | G | H | I | J



TYPICAL SINGLE CIRCUIT 34.5KV DIRECT BURIED CABLE TRENCH

TYPICAL MULTIPLE CIRCUIT 34.5KV DIRECT BURIED CABLE TRENCH

(FOR LESS THAN 9 CIRCUITS, ELIMINATE CABLES/FIBER/ETC. AND NARROW THE OVERALL TRENCH/INSTALLATION WHILE MAINTAINING INSTALLATION/SPACING BETWEEN REMAINING CIRCUITS)

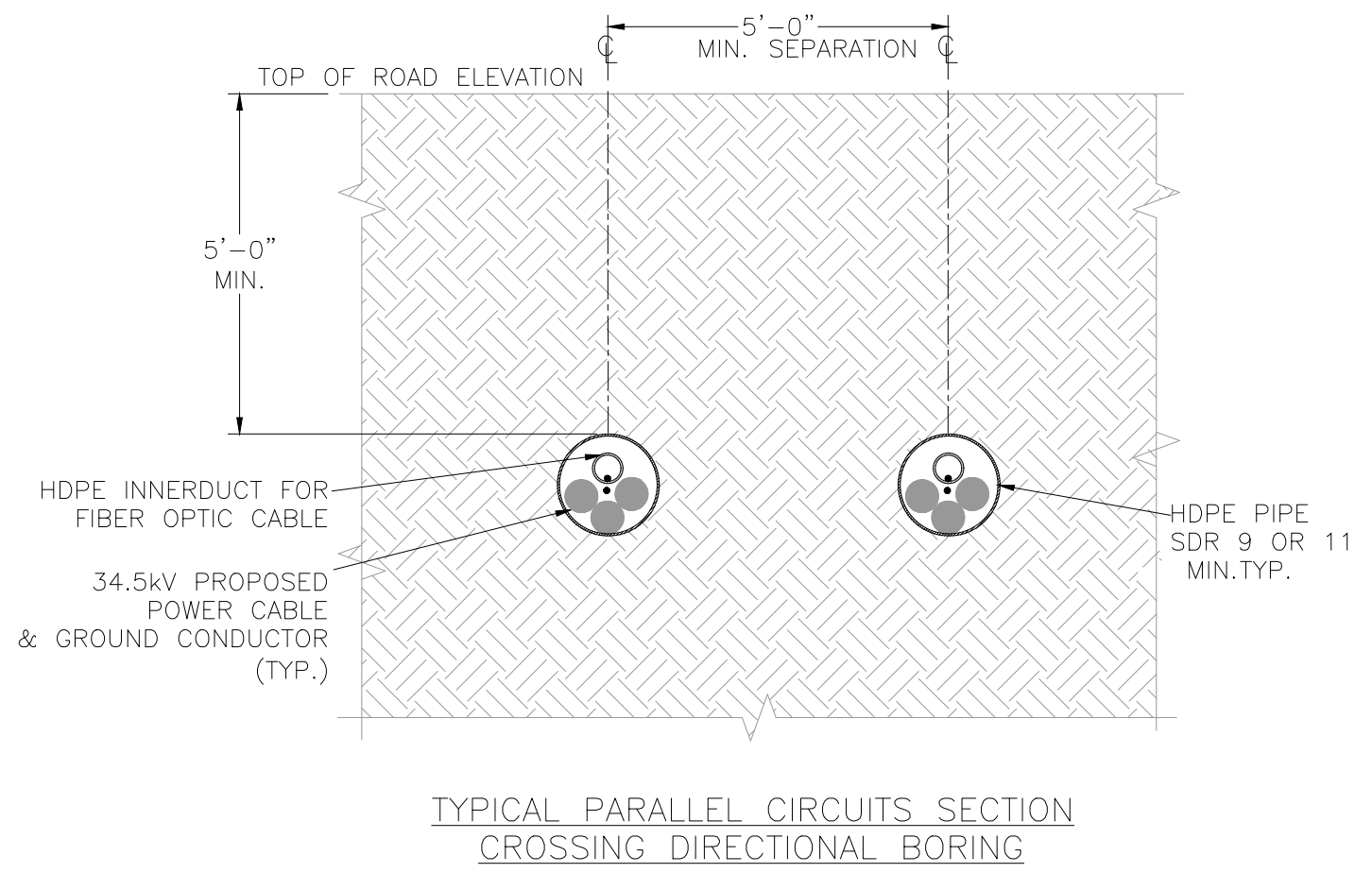
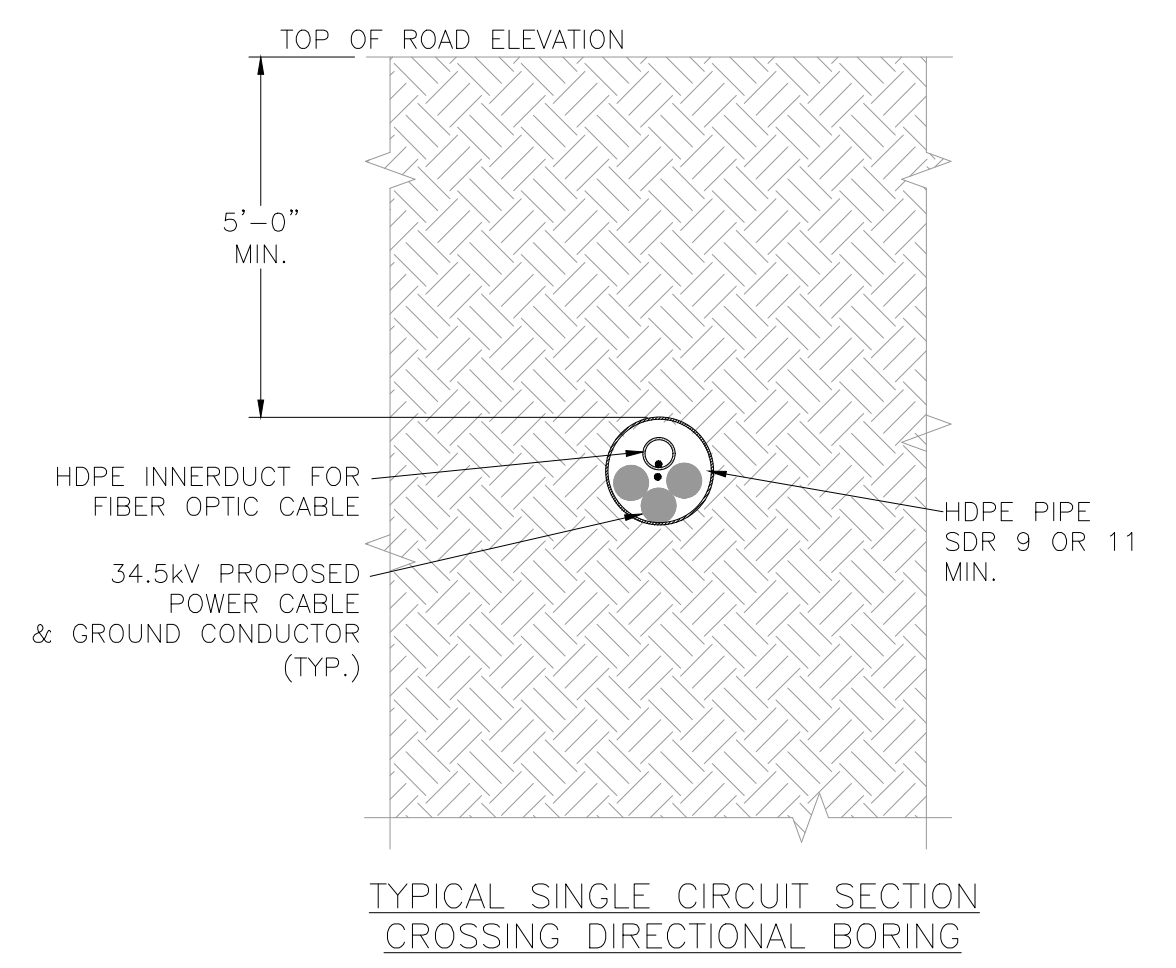


PLAN VIEW

PROPRIETARY INFORMATION MSE CLAIMS PROPRIETARY RIGHTS TO THE INFORMATION, DESIGN, AND LAYOUT DISCLOSED HEREIN. THIS DRAWING IS ISSUED FOR INFORMATIONAL PURPOSES ONLY AND MAY NOT BE REPRODUCED, DISCLOSED TO OTHERS OR USED TO DESIGN OR CONSTRUCT ANY OF THE ITEMS SHOWN HEREIN WITHOUT THE EXPRESSED WRITTEN CONSENT OF MSE. COPYRIGHT 2017 - ALBANY, NY	REV.	DATE	DESCRIPTIONS	BY	CHK'D	APPR'D	REV.	DATE	DESCRIPTIONS	BY	CHK'D	APPR'D	PRELIMINARY DRAWING NOT FOR CONSTRUCTION	MSE Engineering, LLC	BARON WINDS WIND PROJECT BARON WINDS, LLC 34.5 kV UNDERGROUND COLLECTION TYPICAL TRENCH CROSS-SECTION	PLOT SCALE: ARCH 0 1 2 ENGRG 0 1 2	
							C	7/26/17	ISSUED FOR INFORMATION	M.J.N	M.J.N	M.J.N				PROJ. NO.: 2016013	SCALE: NONE
							B	7/21/17	ISSUED FOR INFORMATION	M.J.N	M.J.N	M.J.N				DWG. NO.: SK-102	SHEET: 01
							A	1/18/17	ISSUED FOR INFORMATION	M.J.N	M.J.N	M.J.N				REV.: C	

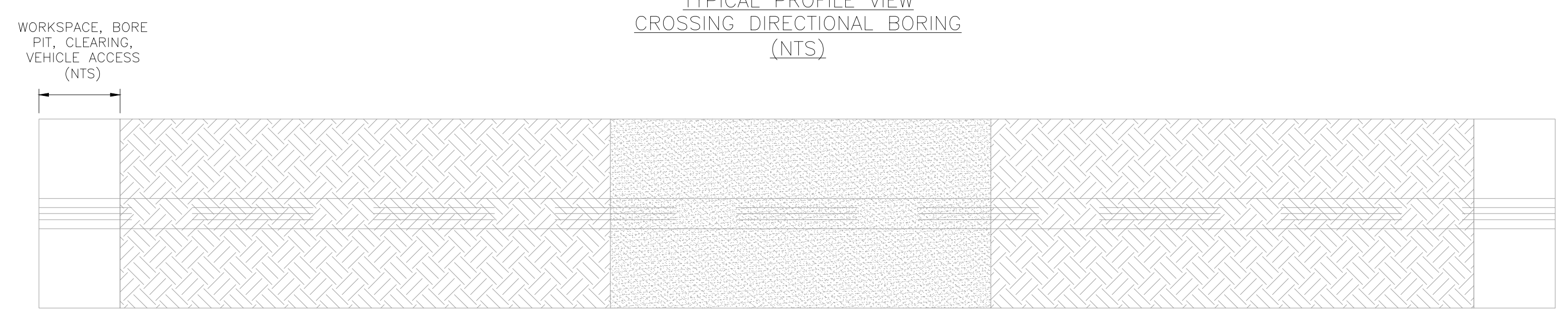
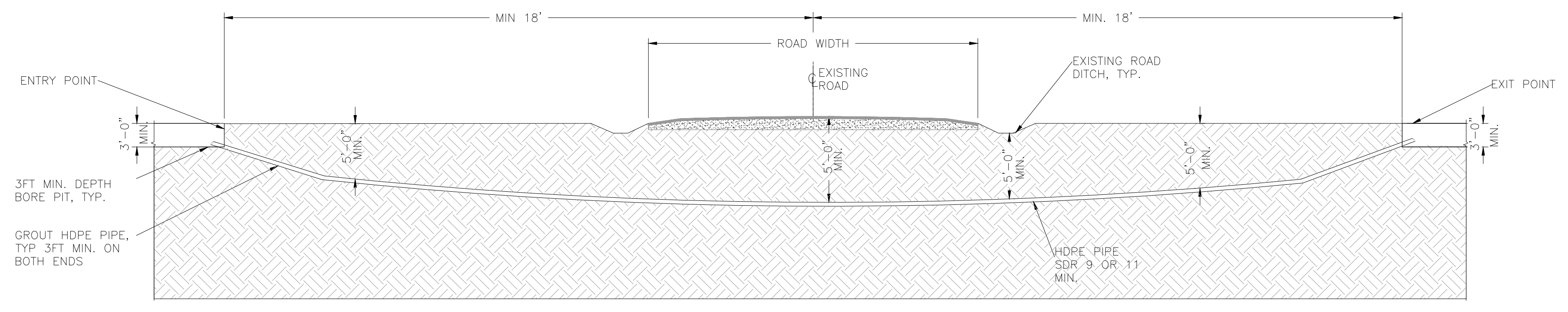
A | B | C | D | E | F | G | H | I | J

1
2
3
4
5
6
7



GENERAL NOTES:

1. THE EXCAVATION/DRILLING SHALL BE BASED UPON THE RECOMMENDATIONS GIVEN IN THE GEOTECHNICAL INVESTIGATION REPORT DONE FOR THE PROJECT.
2. THE TRENCHES AT ENTRY AND EXIT POINTS SHALL BE EXCAVATE TO A WIDTH SUFFICIENT FOR SATISFACTORY AND SAFE WORKING CONDITIONS AND SHALL COMPLY WITH ALL RELEVANT ACTS, REGULATIONS AND REQUIREMENTS OF PUBLIC OR STATUTORY AUTHORITIES IN THE STATE AND THE COUNTY WHERE THE PROJECT IS LOCATED.
3. THE EXCAVATION WILL BE FULLY PROTECTED AGAINST HAZARD TO THE PUBLIC AND WILL BE BRACED TO PREVENT CAVING. PROPER PROTECTIVE MEASURES WILL BE USED WHERE EXCESSIVE CAVING IS ENCOUNTERED OR WHERE PROTECTION IS REQUIRED FOR ADJACENT EXISTING STRUCTURES OR ROADS.
4. DRILLING CONTRACTOR IS SOLELY RESPONSIBLE FOR ALL CONSTRUCTION MEANS, METHODS, TECHNIQUES, AND PROCEDURES. CONTRACTOR SHALL PROVIDE TEMPORARY ERECTION BRACING AND SHORING AS REQUIRED DURING EXCAVATION AND DURING DRILLING, COMPLYING WITH ALL OSHA REGULATIONS. EXCAVATION, TRENCHING, DRILLING AND SHORING SHALL BE PER OSHA REGULATIONS, 29 CFR CH. XVII, STANDARD 1926, SUBPART "P".
5. PRIOR TO PERFORMING DIRECTIONAL BORING, CALL "MISS UTILITY" SERVICE FOR ANY UNDERGROUND UTILITY LOCATIONS.
6. THE CONTRACTOR SHALL FURNISH ALL EQUIPMENT, LABOR, TOOLS, SUPERVISION REQUIRED TO PERFORM THE DIRECTIONAL BORES.
7. THE CONDUITS/PIPES SHALL PLACE AT THE DESIGN DEPTH AND IN LINE WITH THE TRENCH LINE. THIS SHALL BE ACCOMPLISHED USING A LOCATER WITH DEPTH READING AT EVERY 10FT MINIMUM.



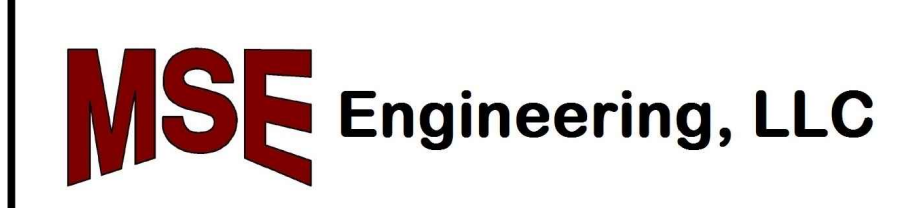
TYPICAL PROFILE VIEW
CROSSING DIRECTIONAL BORING
(NTS)

PLAN VIEW

PROPRIETARY INFORMATION
MSE CLAIMS PROPRIETARY RIGHTS TO THE INFORMATION, DESIGN, AND LAYOUT DISCLOSED HEREIN. THIS DRAWING IS ISSUED FOR INFORMATIONAL PURPOSES ONLY AND MAY NOT BE REPRODUCED, DISCLOSED TO OTHERS OR USED TO DESIGN OR CONSTRUCT ANY OF THE ITEMS SHOWN HEREIN WITHOUT THE EXPRESSED WRITTEN CONSENT OF MSE.
COPYRIGHT 2017 - ALBANY, NY

REV.	DATE	DESCRIPTIONS	BY	CHK'D	APR'D	REV.	DATE	DESCRIPTIONS	BY	CHK'D	APR'D
B	7/26/17	ISSUED FOR INFORMATION	MJN	MJN	MJN						
A	1/18/17	ISSUED FOR INFORMATION	MJN	MJN	MJN						

PRELIMINARY
DRAWING
NOT FOR
CONSTRUCTION



BARON WINDS WIND PROJECT
BARON WINDS, LLC
34.5 kV UNDERGROUND COLLECTION
TYPICAL DIRECTIONAL BORING DETAILS

PROJ. NO.: 2016013	DWG. NO.: SK-103	SCALE: NONE	SHEET: 01	REV.: B
-----------------------	---------------------	----------------	--------------	------------

A | B | C | D | E | F | G | H | I | J