

**RIGHT-OF-WAY CLEARING DIAGRAM
FOR 115KV TRANSMISSION LINE**

PROPRIETARY INFORMATION

AHV CLAIMS PROPRIETARY RIGHTS TO THE INFORMATION, DESIGN, AND LAYOUT DISCLOSED HEREIN. THIS DRAWING IS ISSUED FOR INFORMATIONAL PURPOSES ONLY AND MAY NOT BE REPRODUCED, DISCLOSED TO OTHERS OR USED TO DESIGN OR CONSTRUCT ANY OF THE ITEMS SHOWN HEREIN WITHOUT THE EXPRESSED WRITTEN CONSENT OF AHV.

COPYRIGHT 2016-ALBANY, NY

PRELIMINARY
DRAWING

NOT FOR
CONSTRUCTION

REV.	DATE	DESCRIPTIONS	BY	CHK'D	APRV'D
A	01/28/16	ISSUED FOR INFORMATION	SDD	PBP	PBP



CASSADAGA WIND PROJECT
CASSADAGA WIND, LLC.

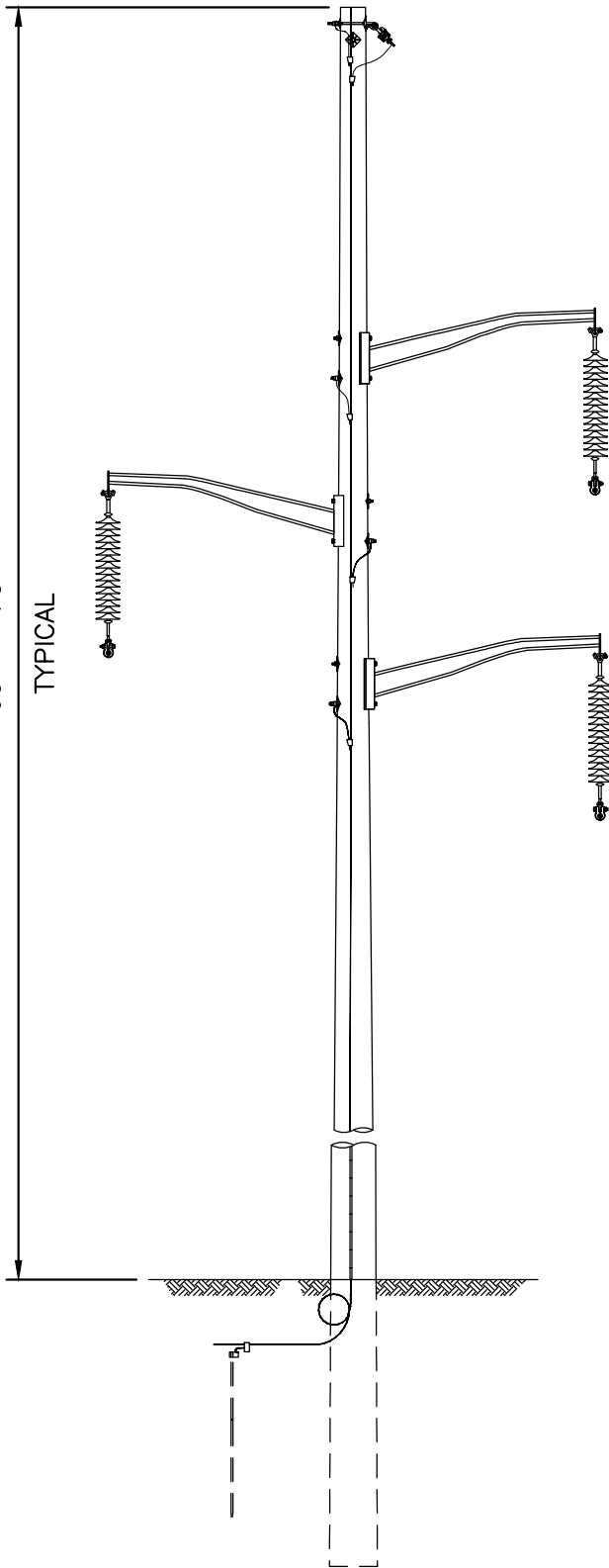
115KV TRANSMISSION LINE
RIGHT-OF-WAY
CLEARING DIAGRAM

DATE:
01/28/16

PROJ. No.:	SCALE:	
19018	NONE	
DWG. No.:	SHEET:	REV.:
SK-003	01	A

AVE. SPAN LENGTH: 400 – 500 FT.
 AVE. STRUCTURE HEIGHT: 60 – 70 FT.

60' – 70'
 TYPICAL



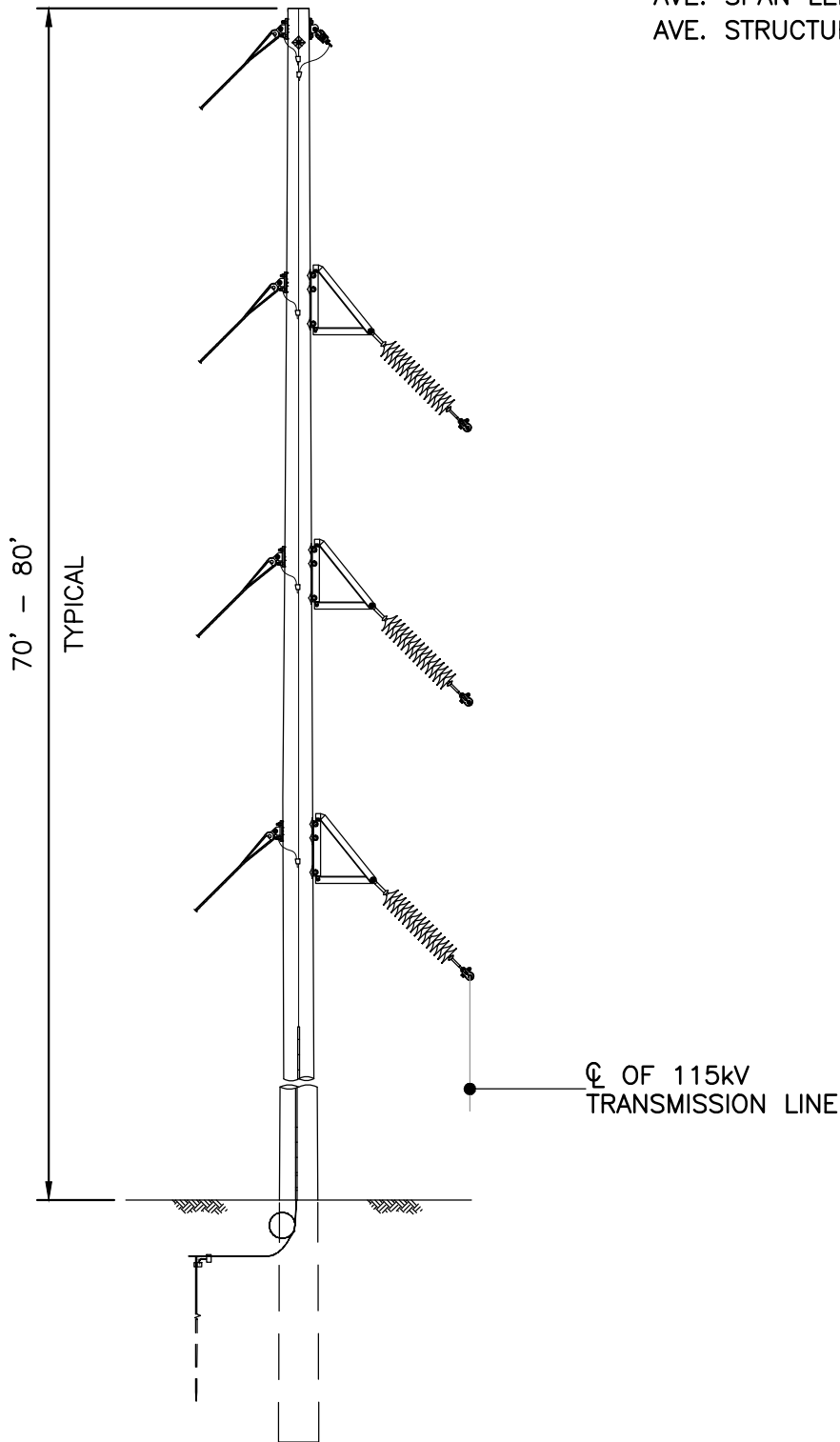
PROPRIETARY INFORMATION

AHV CLAIMS PROPRIETARY RIGHTS TO THE INFORMATION, DESIGN, AND LAYOUT DISCLOSED HEREIN. THIS DRAWING IS ISSUED FOR INFORMATIONAL PURPOSES ONLY AND MAY NOT BE REPRODUCED, DISCLOSED TO OTHERS OR USED TO DESIGN OR CONSTRUCT ANY OF THE ITEMS SHOWN HEREIN WITHOUT THE EXPRESSED WRITTEN CONSENT OF AHV. COPYRIGHT 2016 –ALBANY, NY



						CASSADAGA WIND PROJECT CASSADAGA WIND, LLC.		PROJ. No.: 19018		
						115kV TRANSMISSION LINE CONCEPTUAL STRUCTURE DRAWING TYPE: TANGENT		SCALE: NONE		
A	01/28/16	ISSUED FOR INFORMATION	SDD	PBP	PBP			DWG. No.:	SHEET:	REV.:
REV.	DATE	DESCRIPTION	DWN	CHK'D	APRV'D			SK-001	01	A

AVE. SPAN LENGTH: 400 – 500 FT.
 AVE. STRUCTURE HEIGHT: 70 – 80 FT.



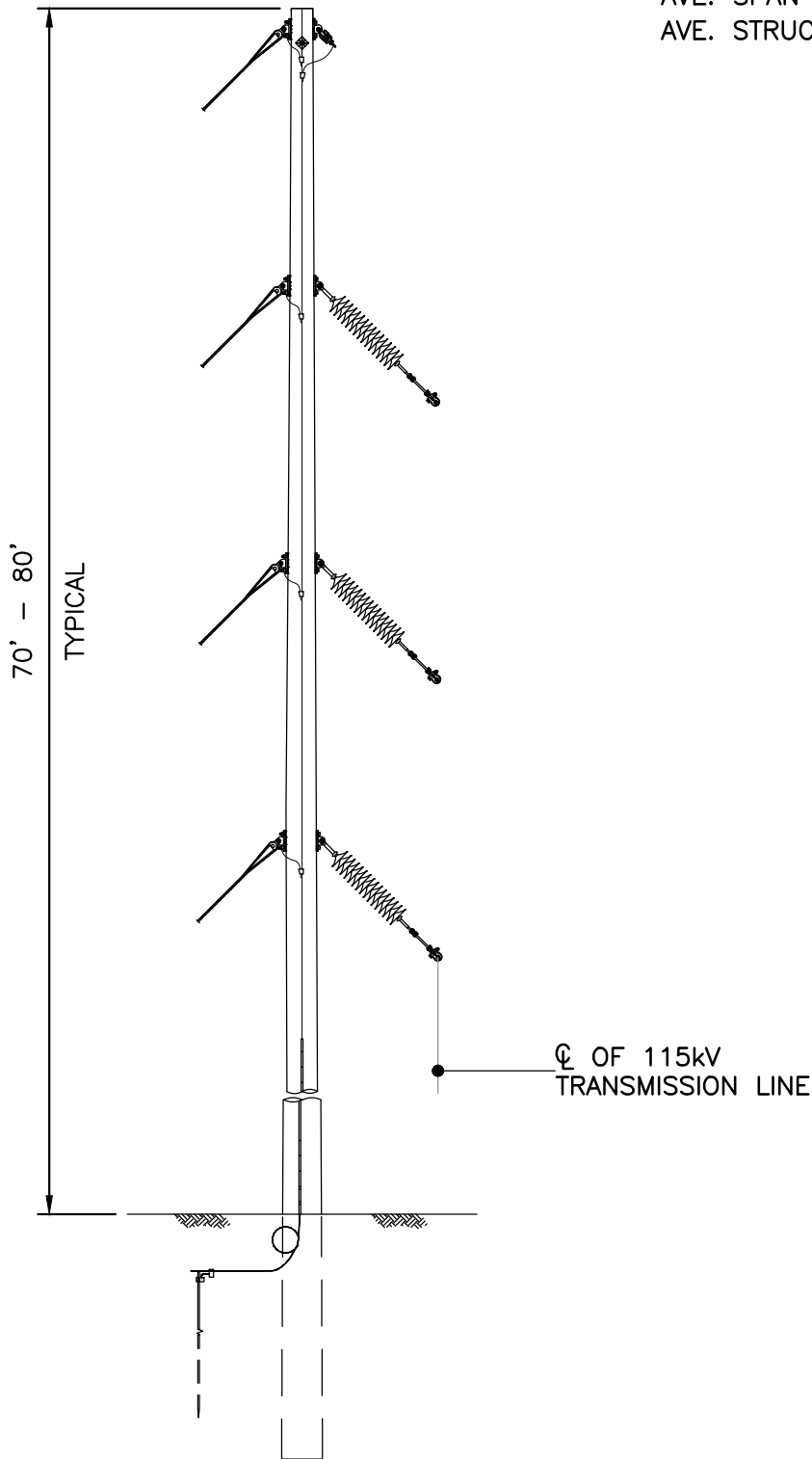
PROPRIETARY INFORMATION

AHV CLAIMS PROPRIETARY RIGHTS TO THE INFORMATION, DESIGN, AND LAYOUT DISCLOSED HEREIN. THIS DRAWING IS ISSUED FOR INFORMATIONAL PURPOSES ONLY AND MAY NOT BE REPRODUCED, DISCLOSED TO OTHERS OR USED TO DESIGN OR CONSTRUCT ANY OF THE ITEMS SHOWN HEREIN WITHOUT THE EXPRESSED WRITTEN CONSENT OF AHV. COPYRIGHT 2016 -ALBANY, NY



						CASSADAGA WIND PROJECT CASSADAGA WIND, LLC.		PROJ. No.: 19018		
						115kV TRANSMISSION LINE CONCEPTUAL STRUCTURE DRAWING TYPE: LIGHT ANGLE		SCALE: NONE		
A	01/28/16	ISSUED FOR INFORMATION	SDD	PBP	PBP			DWG. No.:	SHEET:	REV.:
REV.	DATE	DESCRIPTION	DWN	CHK'D	APRV'D			SK-001	02	A

AVE. SPAN LENGTH: 400 – 500 FT.
 AVE. STRUCTURE HEIGHT: 70 – 80 FT.



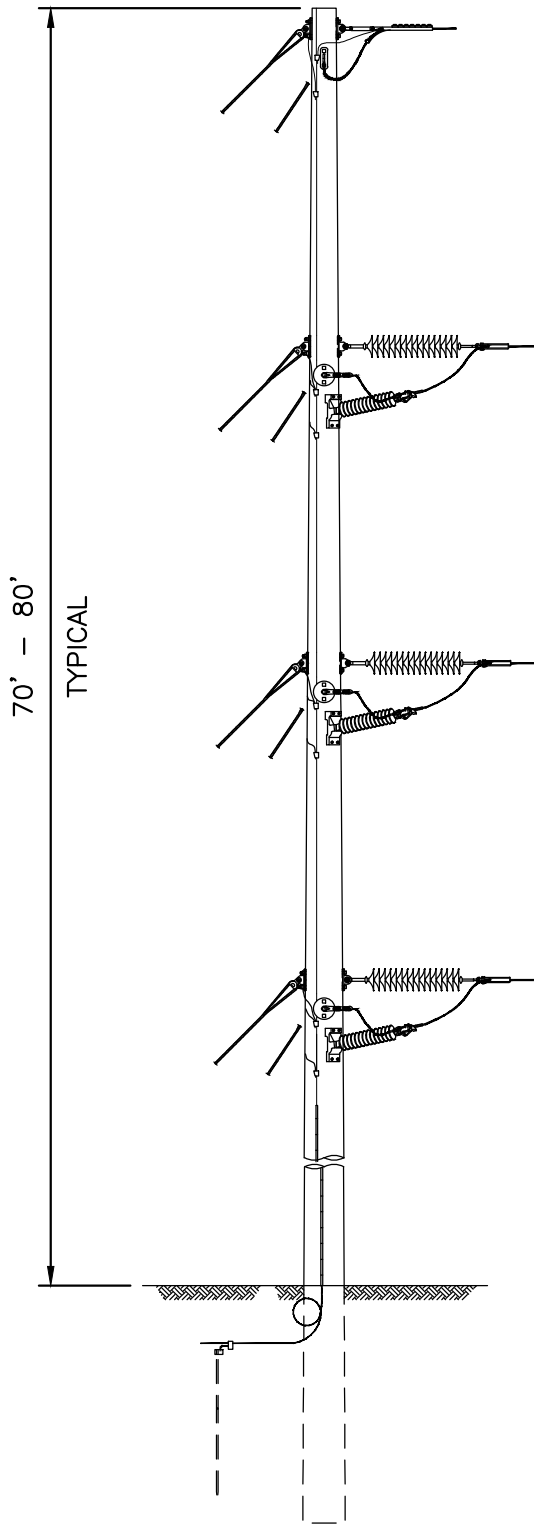
PROPRIETARY INFORMATION

AHV CLAIMS PROPRIETARY RIGHTS TO THE INFORMATION, DESIGN, AND LAYOUT DISCLOSED HEREIN. THIS DRAWING IS ISSUED FOR INFORMATIONAL PURPOSES ONLY AND MAY NOT BE REPRODUCED, DISCLOSED TO OTHERS OR USED TO DESIGN OR CONSTRUCT ANY OF THE ITEMS SHOWN HEREIN WITHOUT THE EXPRESSED WRITTEN CONSENT OF AHV. COPYRIGHT 2016 -ALBANY, NY



						CASSADAGA WIND PROJECT CASSADAGA WIND, LLC.		PROJ. No.: 19018		
						115kV TRANSMISSION LINE CONCEPTUAL STRUCTURE DRAWING TYPE: HEAVY ANGLE		SCALE: NONE		
A	01/28/16	ISSUED FOR INFORMATION	SDD	PBP	PBP			DWG. No.:	SHEET:	REV.:
REV.	DATE	DESCRIPTION	DWN	CHK'D	APRV'D			SK-001	03	A

AVE. SPAN LENGTH: 400 – 500 FT.
 AVE. STRUCTURE HEIGHT: 70 – 80 FT.



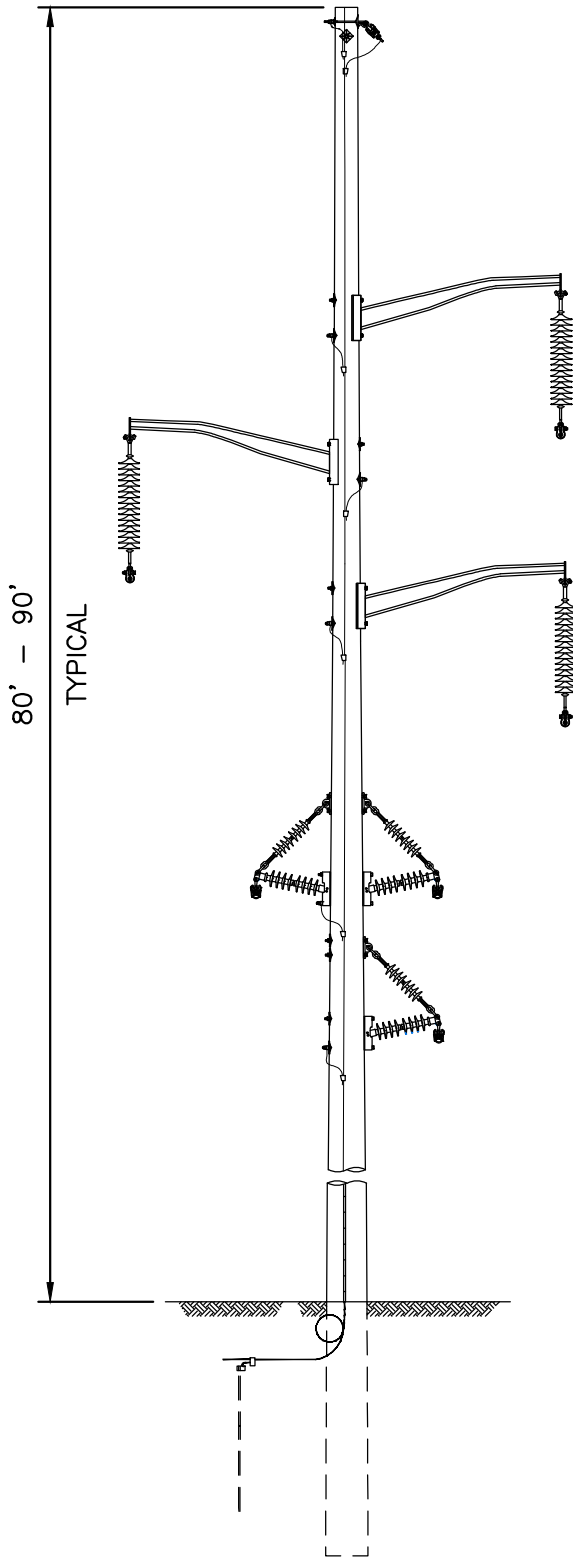
PROPRIETARY INFORMATION

AHV CLAIMS PROPRIETARY RIGHTS TO THE INFORMATION, DESIGN, AND LAYOUT DISCLOSED HEREIN. THIS DRAWING IS ISSUED FOR INFORMATIONAL PURPOSES ONLY AND MAY NOT BE REPRODUCED, DISCLOSED TO OTHERS OR USED TO DESIGN OR CONSTRUCT ANY OF THE ITEMS SHOWN HEREIN WITHOUT THE EXPRESSED WRITTEN CONSENT OF AHV. COPYRIGHT 2016 -ALBANY, NY



					CASSADAGA WIND PROJECT CASSADAGA WIND, LLC.		PROJ. No.: 19018		
					115KV TRANSMISSION LINE CONCEPTUAL STRUCTURE DRAWING TYPE: DEAD-END		SCALE: NONE		
A	01/28/16	ISSUED FOR INFORMATION	SDD	PBP	PBP	DWG. No.: SK-001		SHEET: 04	REV.: A
REV.	DATE	DESCRIPTION	DWN	CHK'D	APRV'D				

AVE. SPAN LENGTH: 400 – 500 FT.
 AVE. STRUCTURE HEIGHT: 80 – 90 FT.



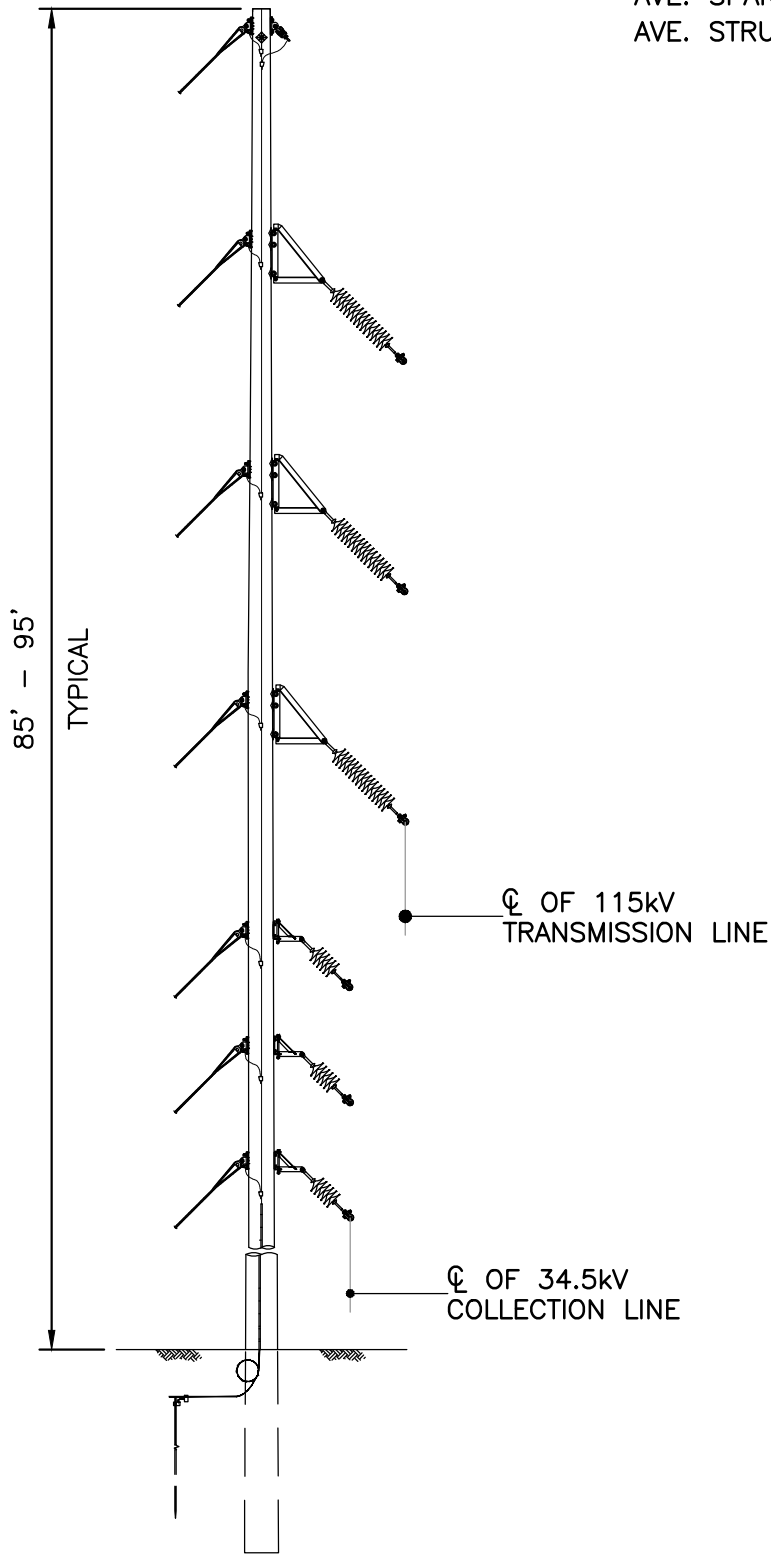
PROPRIETARY INFORMATION

AHV CLAIMS PROPRIETARY RIGHTS TO THE INFORMATION, DESIGN, AND LAYOUT DISCLOSED HEREIN. THIS DRAWING IS ISSUED FOR INFORMATIONAL PURPOSES ONLY AND MAY NOT BE REPRODUCED, DISCLOSED TO OTHERS OR USED TO DESIGN OR CONSTRUCT ANY OF THE ITEMS SHOWN HEREIN WITHOUT THE EXPRESSED WRITTEN CONSENT OF AHV. COPYRIGHT 2016 –ALBANY, NY



						CASSADAGA WIND PROJECT CASSADAGA WIND, LLC.		PROJ. No.: 19018	
						115kV TRANSMISSION LINE CONCEPTUAL STRUCTURE DRAWING		SCALE: NONE	
						TYPE: TANGENT W/34.5 KV UNDERBUILT		DWG. No.: SK-002	SHEET: REV.: 01 A
A	01/28/16	ISSUED FOR INFORMATION	SDD	PBP	PBP				
REV.	DATE	DESCRIPTION	DWN	CHK'D	APRV'D				

AVE. SPAN LENGTH: 400 – 500 FT.
 AVE. STRUCTURE HEIGHT: 85 – 95 FT.



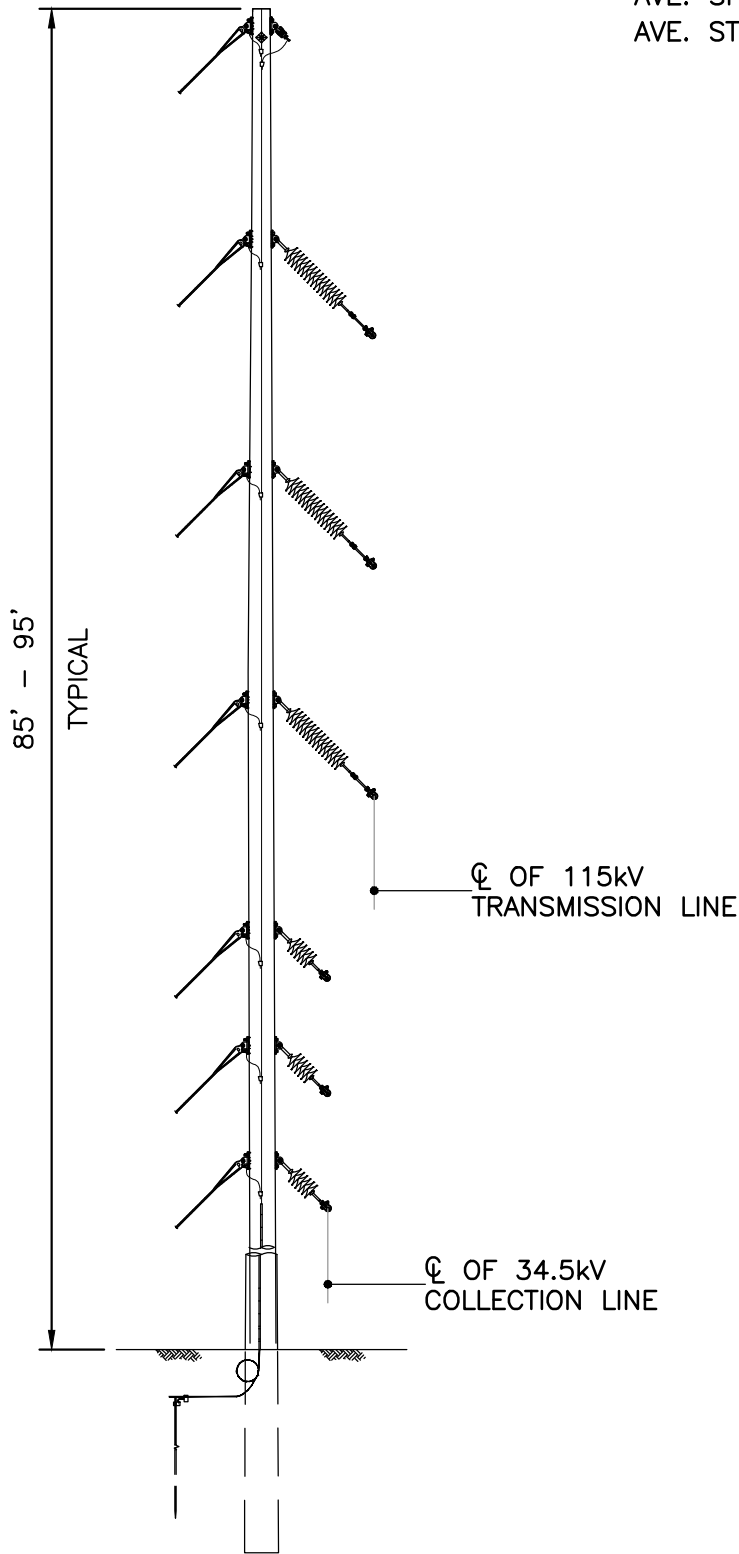
PROPRIETARY INFORMATION

AHV CLAIMS PROPRIETARY RIGHTS TO THE INFORMATION, DESIGN, AND LAYOUT DISCLOSED HEREIN. THIS DRAWING IS ISSUED FOR INFORMATIONAL PURPOSES ONLY AND MAY NOT BE REPRODUCED, DISCLOSED TO OTHERS OR USED TO DESIGN OR CONSTRUCT ANY OF THE ITEMS SHOWN HEREIN WITHOUT THE EXPRESSED WRITTEN CONSENT OF AHV. COPYRIGHT 2016 -ALBANY, NY



				CASSADAGA WIND PROJECT CASSADAGA WIND, LLC.		PROJ. No.: 19018
				115kV TRANSMISSION LINE CONCEPTUAL STRUCTURE DRAWING		SCALE: NONE
A	01/28/16	ISSUED FOR INFORMATION	SDD	PBP	PBP	DWG. No.: SK-002
REV.	DATE	DESCRIPTION	DWN	CHK'D	APRV'D	SHEET: REV.: 02 A
TYPE: LIGHT ANGLE W/ 34.5KV UNDERBUILT						

AVE. SPAN LENGTH: 400 – 500 FT.
 AVE. STRUCTURE HEIGHT: 85 – 95 FT.



PROPRIETARY INFORMATION

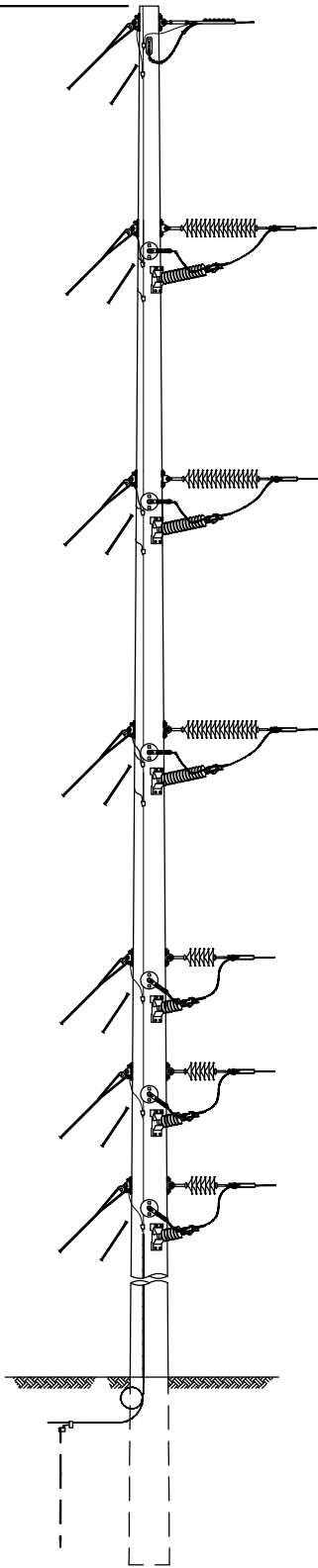
AHV CLAIMS PROPRIETARY RIGHTS TO THE INFORMATION, DESIGN, AND LAYOUT DISCLOSED HEREIN. THIS DRAWING IS ISSUED FOR INFORMATIONAL PURPOSES ONLY AND MAY NOT BE REPRODUCED, DISCLOSED TO OTHERS OR USED TO DESIGN OR CONSTRUCT ANY OF THE ITEMS SHOWN HEREIN WITHOUT THE EXPRESSED WRITTEN CONSENT OF AHV. COPYRIGHT 2016 -ALBANY, NY



					CASSADAGA WIND PROJECT CASSADAGA WIND, LLC.		PROJ. No.: 19018	
					115kV TRANSMISSION LINE CONCEPTUAL STRUCTURE DRAWING		SCALE: NONE	
A	01/28/16	ISSUED FOR INFORMATION	SDD	PBP	PBP	TYPE: HEAVY ANGLE W/ 34.5KV UNDERBUILT		DWG. No.: SK-002
REV.	DATE	DESCRIPTION	DWN	CHK'D	APRV'D			SHEET: REV.: 03 A

AVE. SPAN LENGTH: 400 – 500 FT.
 AVE. STRUCTURE HEIGHT: 85 – 95 FT.

85' – 95'
 TYPICAL



PROPRIETARY INFORMATION

AHV CLAIMS PROPRIETARY RIGHTS TO THE INFORMATION, DESIGN, AND LAYOUT DISCLOSED HEREIN. THIS DRAWING IS ISSUED FOR INFORMATIONAL PURPOSES ONLY AND MAY NOT BE REPRODUCED, DISCLOSED TO OTHERS OR USED TO DESIGN OR CONSTRUCT ANY OF THE ITEMS SHOWN HEREIN WITHOUT THE EXPRESSED WRITTEN CONSENT OF AHV. COPYRIGHT 2016 –ALBANY, NY



						CASSADAGA WIND PROJECT CASSADAGA WIND, LLC.		PROJ. No.: 19018		
						115KV TRANSMISSION LINE CONCEPTUAL STRUCTURE DRAWING		SCALE: NONE		
A	01/28/16	ISSUED FOR INFORMATION	SDD	PBP	PBP	TYPE: DEAD-END W/ 34.5KV UNDERBUILT		DWG. No.:	SHEET:	REV.:
REV.	DATE	DESCRIPTION	DWN	CHK'D	APRV'D			SK-002	04	A