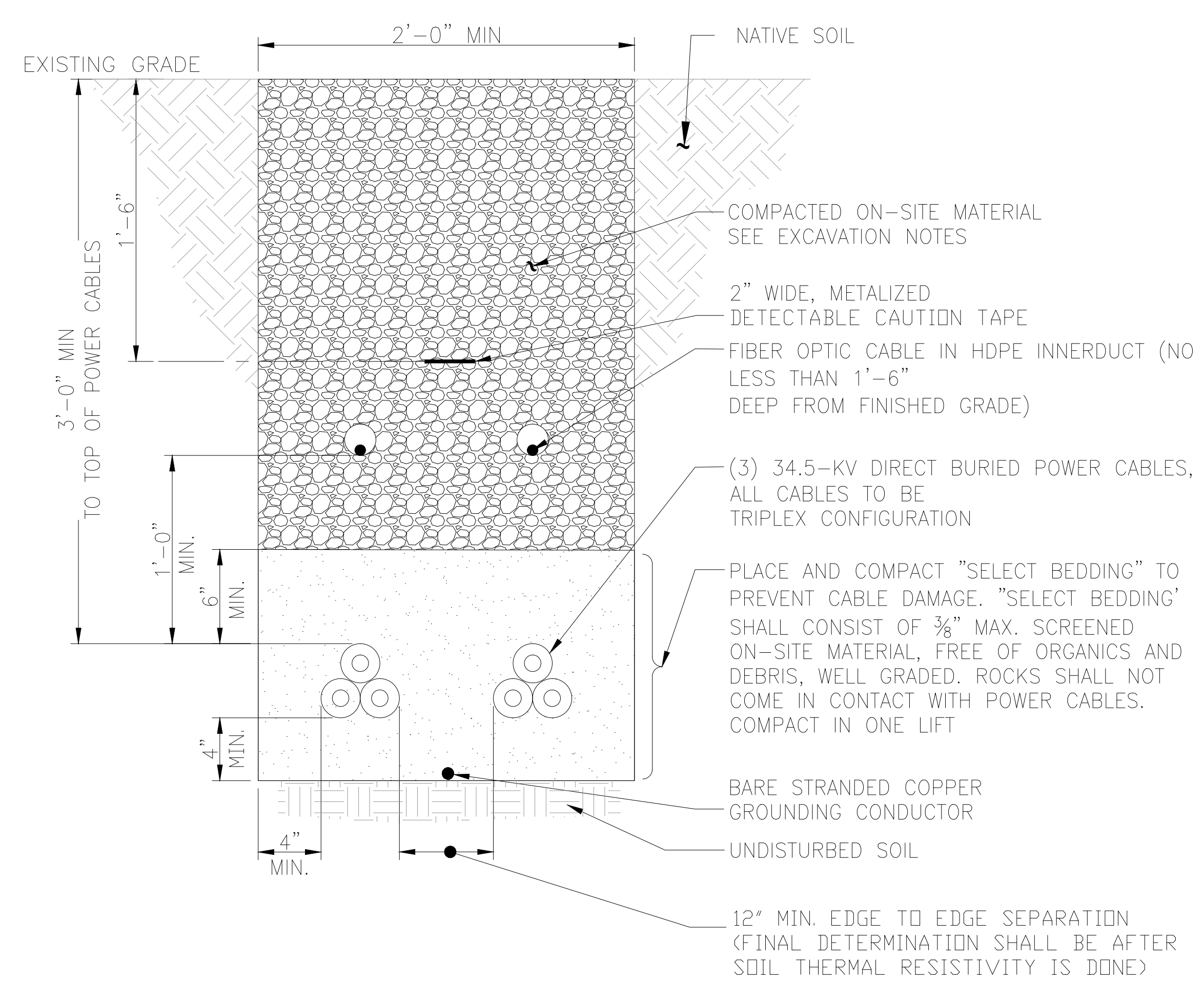


TYPICAL SINGLE CIRCUIT 34.5KV DIRECT BURIED CABLE TRENCH



TYPICAL DOUBLE CIRCUIT 34.5KV DIRECT BURIED CABLE TRENCH

PROPRIETARY INFORMATION
 AHV CLAIMS PROPRIETARY RIGHTS TO THE INFORMATION, DESIGN, AND LAYOUT DISCLOSED HEREIN. THIS DRAWING IS ISSUED FOR INFORMATIONAL PURPOSES ONLY AND MAY NOT BE REPRODUCED, DISCLOSED TO OTHERS OR USED TO DESIGN OR CONSTRUCT ANY OF THE ITEMS SHOWN HEREIN WITHOUT THE EXPRESSED WRITTEN CONSENT OF AHV.
 COPYRIGHT 2016 - ALBANY, NY

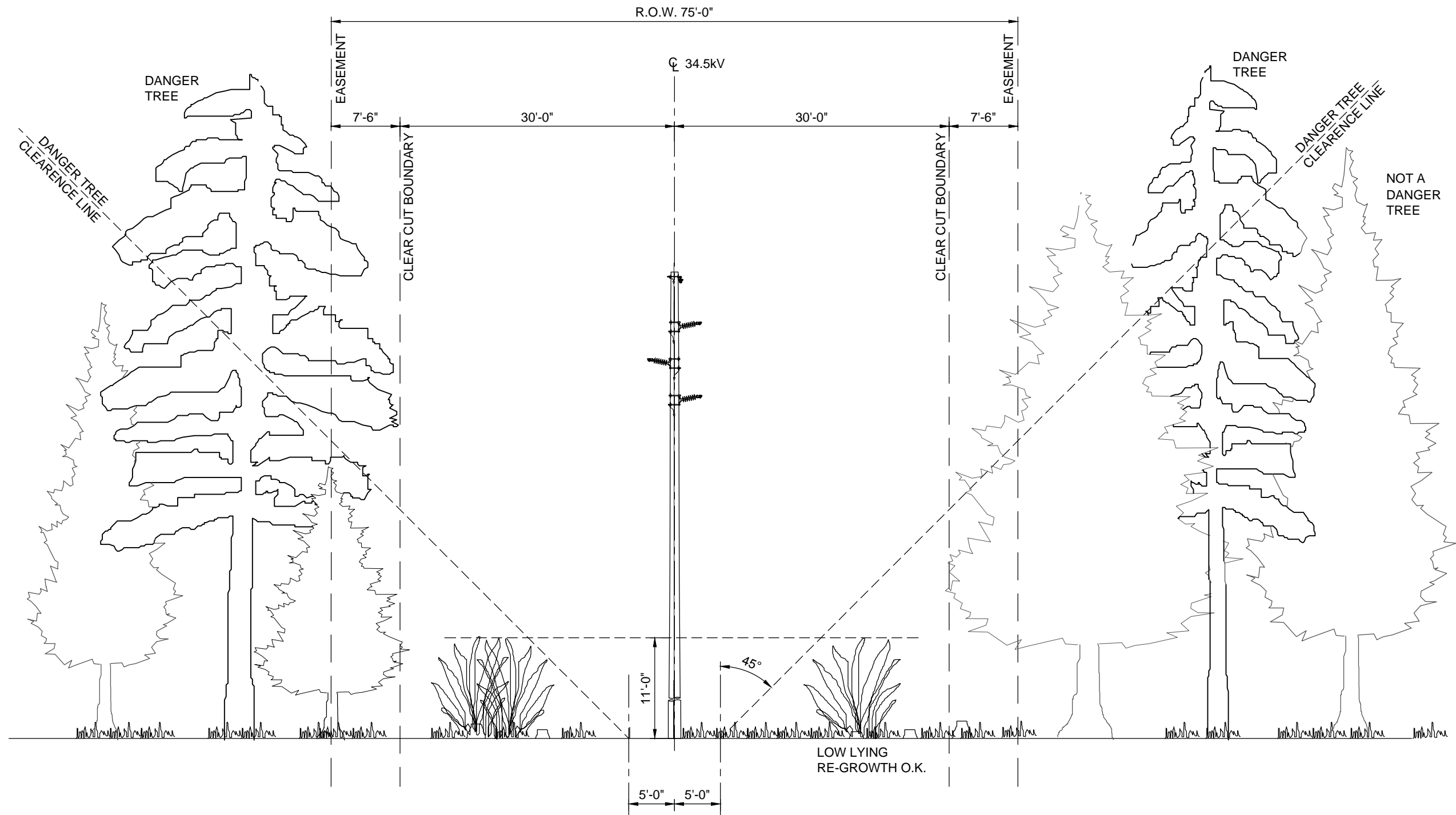
REV.	DATE	DESCRIPTIONS	BY	CHK'D	APPR'D	REV.	DATE	DESCRIPTIONS	BY	CHK'D	APPR'D
						A	01/27/16	ISSUED FOR INFORMATION	M/JN	M/JN	M/JN

PRELIMINARY DRAWING
 NOT FOR CONSTRUCTION



CASSADAGA WIND
 34.5 kV UNDERGROUND COLLECTION
 TYPICAL TRENCH CROSS-SECTION

PROJ. NO.: 19018	SCALE: NONE
DWG. NO.: SK-103	SHEET: 01
	REV.: A



RIGHT-OF-WAY CLEARING DIAGRAM
FOR 34.5kV AERIAL COLLECTION LINE

PROPRIETARY INFORMATION

AHV CLAIMS PROPRIETARY RIGHTS TO THE INFORMATION, DESIGN, AND LAYOUT DISCLOSED HEREIN. THIS DRAWING IS ISSUED FOR INFORMATIONAL PURPOSES ONLY AND MAY NOT BE REPRODUCED, DISCLOSED TO OTHERS OR USED TO DESIGN OR CONSTRUCT ANY OF THE ITEMS SHOWN HEREIN WITHOUT THE EXPRESSED WRITTEN CONSENT OF AHV.

COPYRIGHT 2016-ALBANY, NY

PRELIMINARY
DRAWING
NOT FOR
CONSTRUCTION

REV.	DATE	DESCRIPTIONS	BY	CHK'D	APRV'D
A	01/28/16	ISSUED FOR INFORMATION	SDD	PBP	PBP



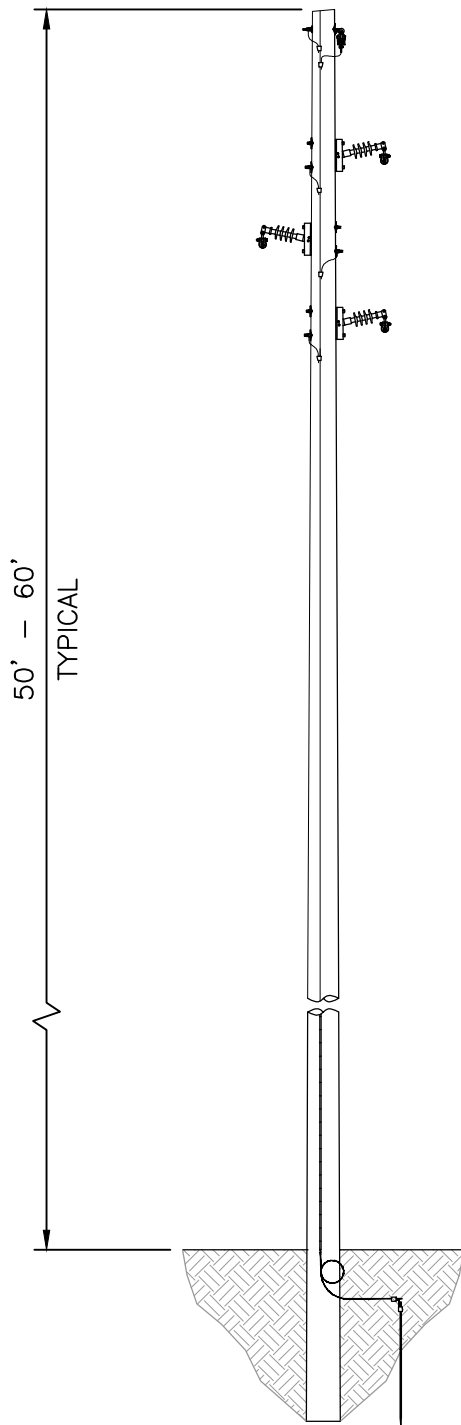
CASSADAGA WIND PROJECT
CASSADAGA WIND, LLC.

34.5kV AERIAL COLLECTION LINE
RIGHT-OF-WAY
CLEARING DIAGRAM

DATE:
01/28/16

PROJ. No.:	SCALE:
19018	NONE
DWG. No.:	SHEET:
SK-004	01
	REV.:
	A

AVE. SPAN LENGTH: 250 – 300 FT.
 AVE. STRUCTURE HEIGHT: 50 – 60 FT.



ELEVATION VIEW

PROPRIETARY INFORMATION

AHV CLAIMS PROPRIETARY RIGHTS TO THE INFORMATION, DESIGN, AND LAYOUT DISCLOSED HEREIN. THIS DRAWING IS ISSUED FOR INFORMATIONAL PURPOSES ONLY AND MAY NOT BE REPRODUCED, DISCLOSED TO OTHERS OR USED TO DESIGN OR CONSTRUCT ANY OF THE ITEMS SHOWN HEREIN WITHOUT THE EXPRESSED WRITTEN CONSENT OF AHV. COPYRIGHT 2016 -ALBANY, NY

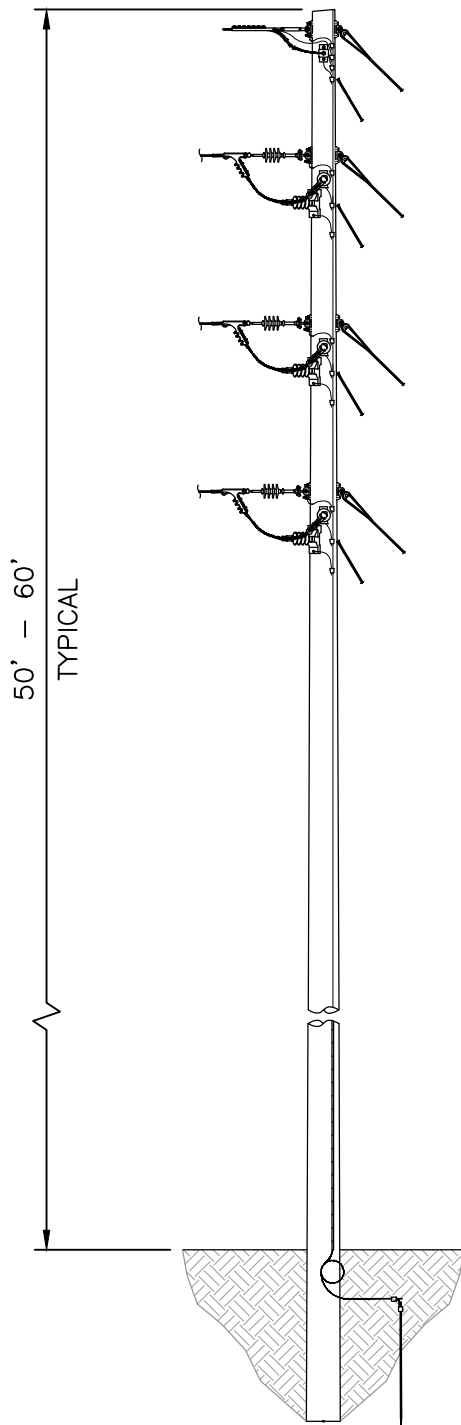


REV.	DATE	DESCRIPTION	DWN	CHK'D	APRV'D
A	01/28/16	ISSUED FOR INFORMATION	SDD	PBP	PBP

CASSADAGA WIND PROJECT CASSADAGA WIND, LLC.
34.5kV OVERHEAD COLLECTION LINE SINGLE CIRCUIT, SINGLE WOOD POLE TANGENT STRUCTURE

PROJ. No.: 19018		
SCALE: 1/8"=1'-0"		
DWG. No.: SK-006	SHEET: 01	REV.: A

AVE. SPAN LENGTH: 250 – 300 FT.
 AVE. STRUCTURE HEIGHT: 50 – 60 FT.



ELEVATION VIEW

PROPRIETARY INFORMATION

AHV CLAIMS PROPRIETARY RIGHTS TO THE INFORMATION, DESIGN, AND LAYOUT DISCLOSED HEREIN. THIS DRAWING IS ISSUED FOR INFORMATIONAL PURPOSES ONLY AND MAY NOT BE REPRODUCED, DISCLOSED TO OTHERS OR USED TO DESIGN OR CONSTRUCT ANY OF THE ITEMS SHOWN HEREIN WITHOUT THE EXPRESSED WRITTEN CONSENT OF AHV. COPYRIGHT 2016 -ALBANY, NY

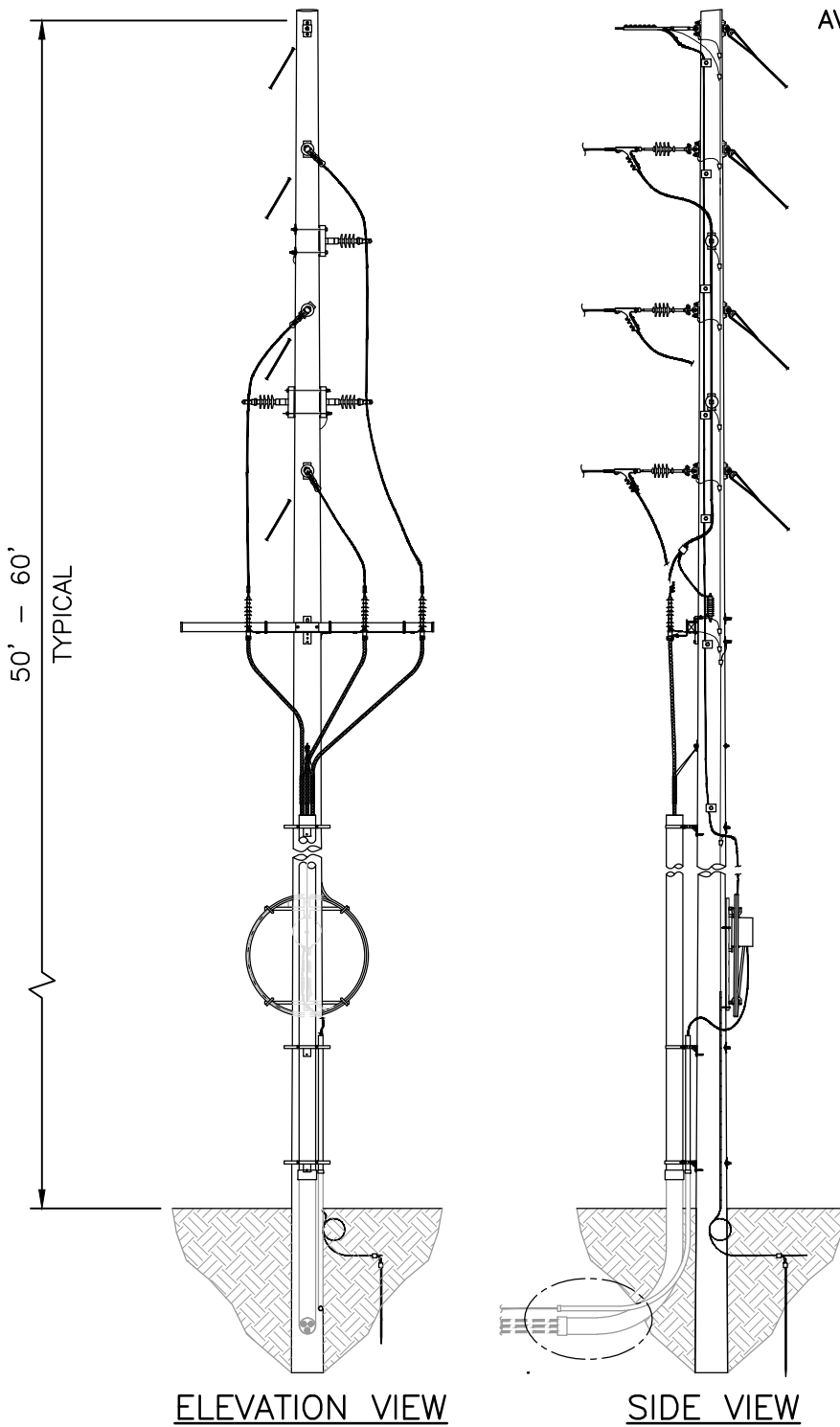


REV.	DATE	DESCRIPTION	DWN	CHK'D	APRV'D
A	01/28/16	ISSUED FOR INFORMATION	SDD	PBP	PBP

CASSADAGA WIND PROJECT CASSADAGA WIND, LLC.
34.5KV OVERHEAD COLLECTION LINE SINGLE CIRCUIT, SINGLE WOOD POLE HEAVY ANGLE DEAD-END STRUCTURE

PROJ. No.: 19018		
SCALE: 1/8"=1'-0"		
DWG. No.: SK-006	SHEET: 02	REV.: A

AVE. SPAN LENGTH: 250 – 300 FT.
 AVE. STRUCTURE HEIGHT: 50 – 60 FT.



ELEVATION VIEW

SIDE VIEW

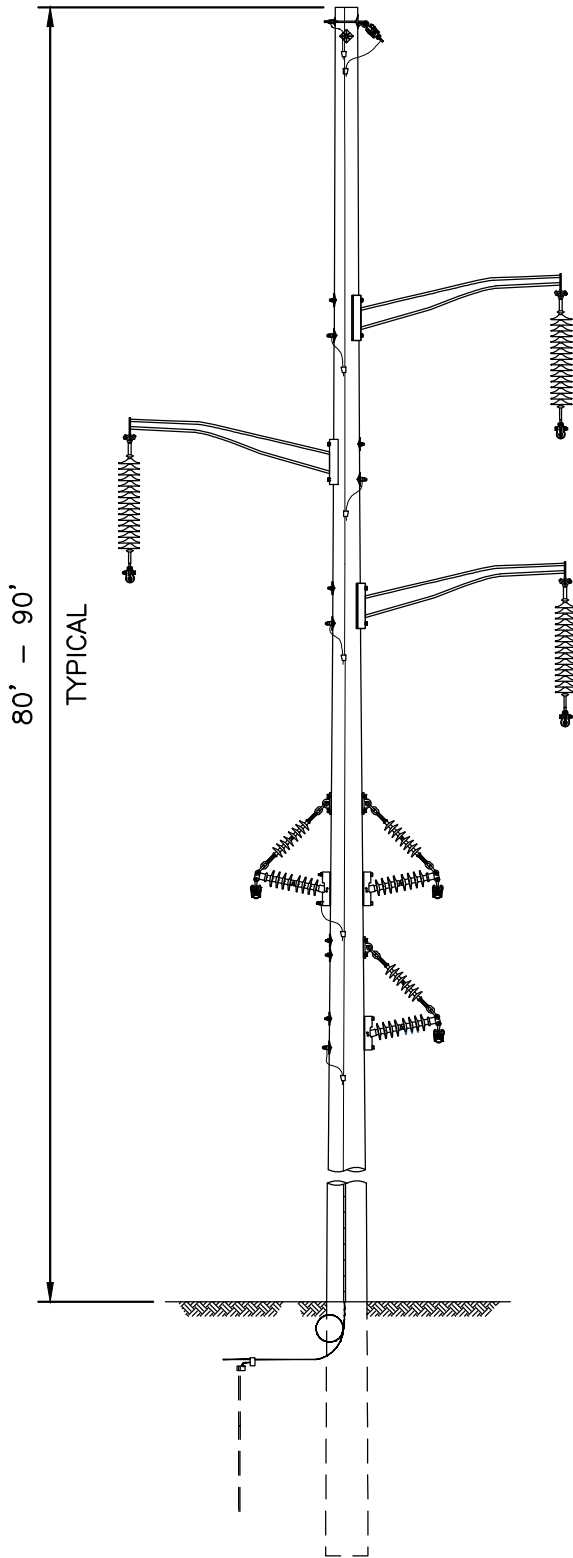
PROPRIETARY INFORMATION

AHV CLAIMS PROPRIETARY RIGHTS TO THE INFORMATION, DESIGN, AND LAYOUT DISCLOSED HEREIN. THIS DRAWING IS ISSUED FOR INFORMATIONAL PURPOSES ONLY AND MAY NOT BE REPRODUCED, DISCLOSED TO OTHERS OR USED TO DESIGN OR CONSTRUCT ANY OF THE ITEMS SHOWN HEREIN WITHOUT THE EXPRESSED WRITTEN CONSENT OF AHV. COPYRIGHT 2016 -ALBANY, NY



				CASSADAGA WIND PROJECT CASSADAGA WIND, LLC.		PROJ. No.: 19018
				34.5kV OVERHEAD COLLECTION LINE SINGLE CIRCUIT, SINGLE WOOD POLE RISER DEAD-END STRUCTURE		SCALE: 1/8"=1'-0"
A	01/28/16	ISSUED FOR INFORMATION	SDD	PBP	PBP	DWG. No.: SK-006
REV.	DATE	DESCRIPTION	DWN	CHK'D	APRV'D	SHEET: REV.: 03 A

AVE. SPAN LENGTH: 400 – 500 FT.
 AVE. STRUCTURE HEIGHT: 80 – 90 FT.



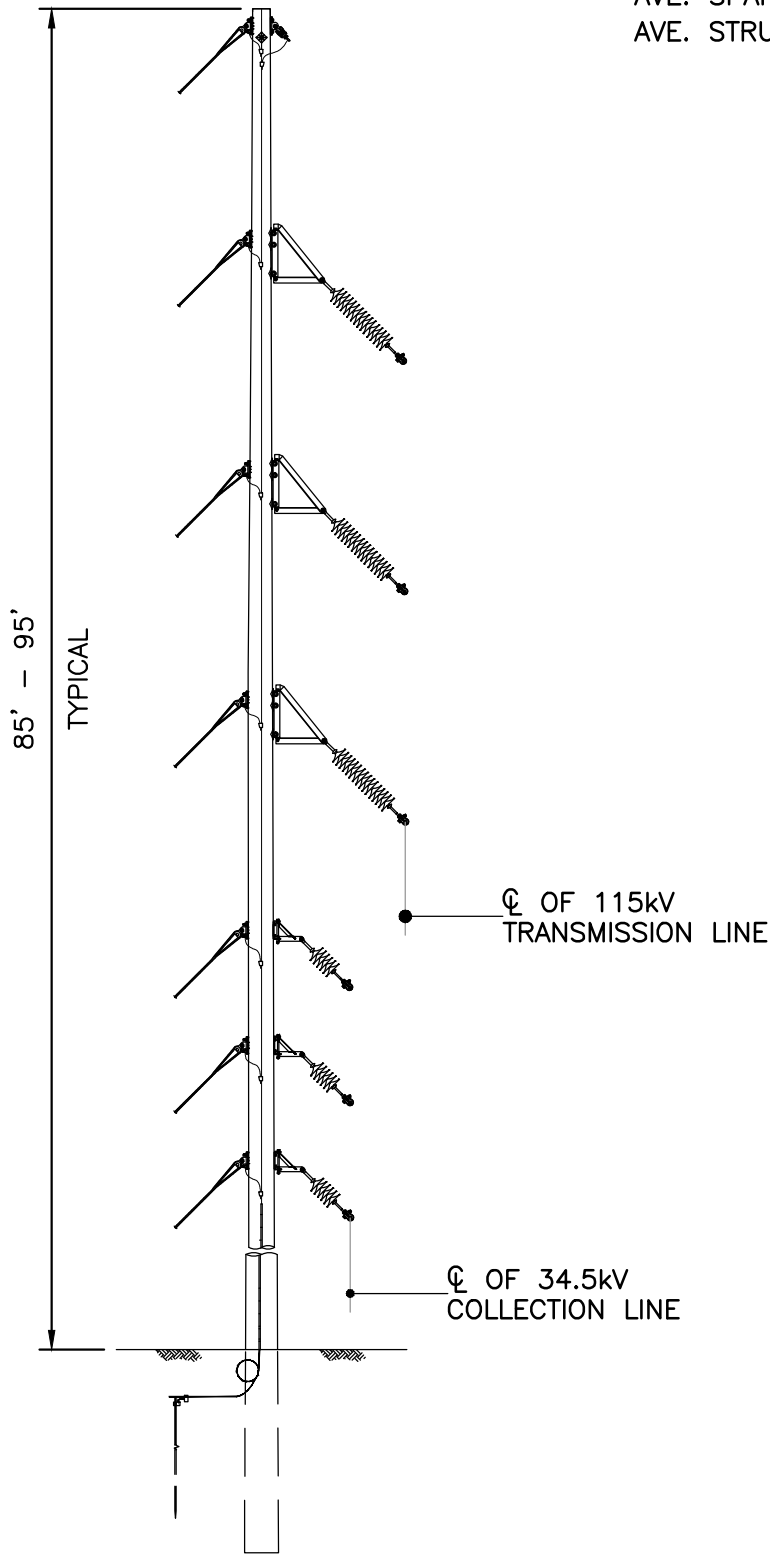
PROPRIETARY INFORMATION

AHV CLAIMS PROPRIETARY RIGHTS TO THE INFORMATION, DESIGN, AND LAYOUT DISCLOSED HEREIN. THIS DRAWING IS ISSUED FOR INFORMATIONAL PURPOSES ONLY AND MAY NOT BE REPRODUCED, DISCLOSED TO OTHERS OR USED TO DESIGN OR CONSTRUCT ANY OF THE ITEMS SHOWN HEREIN WITHOUT THE EXPRESSED WRITTEN CONSENT OF AHV. COPYRIGHT 2016 -ALBANY, NY



						CASSADAGA WIND PROJECT CASSADAGA WIND, LLC.		PROJ. No.: 19018	
						115kV TRANSMISSION LINE CONCEPTUAL STRUCTURE DRAWING		SCALE: NONE	
						TYPE: TANGENT W/34.5 KV UNDERBUILT		DWG. No.: SK-002	SHEET: REV.: 01 A
A	01/28/16	ISSUED FOR INFORMATION	SDD	PBP	PBP				
REV.	DATE	DESCRIPTION	DWN	CHK'D	APRV'D				

AVE. SPAN LENGTH: 400 – 500 FT.
 AVE. STRUCTURE HEIGHT: 85 – 95 FT.



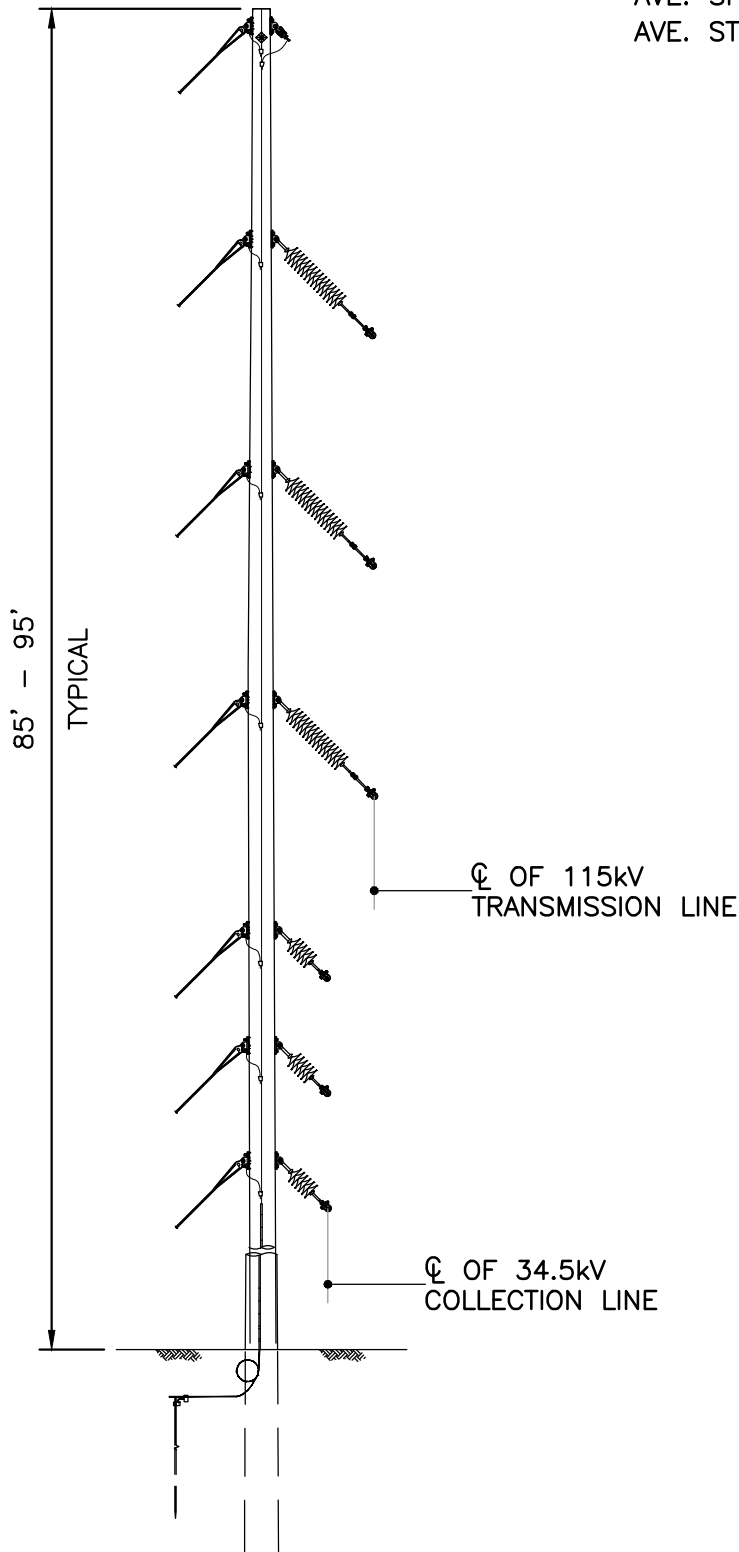
PROPRIETARY INFORMATION

AHV CLAIMS PROPRIETARY RIGHTS TO THE INFORMATION, DESIGN, AND LAYOUT DISCLOSED HEREIN. THIS DRAWING IS ISSUED FOR INFORMATIONAL PURPOSES ONLY AND MAY NOT BE REPRODUCED, DISCLOSED TO OTHERS OR USED TO DESIGN OR CONSTRUCT ANY OF THE ITEMS SHOWN HEREIN WITHOUT THE EXPRESSED WRITTEN CONSENT OF AHV. COPYRIGHT 2016 -ALBANY, NY



				CASSADAGA WIND PROJECT CASSADAGA WIND, LLC.		PROJ. No.: 19018
				115kV TRANSMISSION LINE CONCEPTUAL STRUCTURE DRAWING		SCALE: NONE
A	01/28/16	ISSUED FOR INFORMATION	SDD	PBP	PBP	DWG. No.: SK-002
REV.	DATE	DESCRIPTION	DWN	CHK'D	APRV'D	SHEET: REV.: 02 A
TYPE: LIGHT ANGLE W/ 34.5KV UNDERBUILT						

AVE. SPAN LENGTH: 400 – 500 FT.
 AVE. STRUCTURE HEIGHT: 85 – 95 FT.



PROPRIETARY INFORMATION

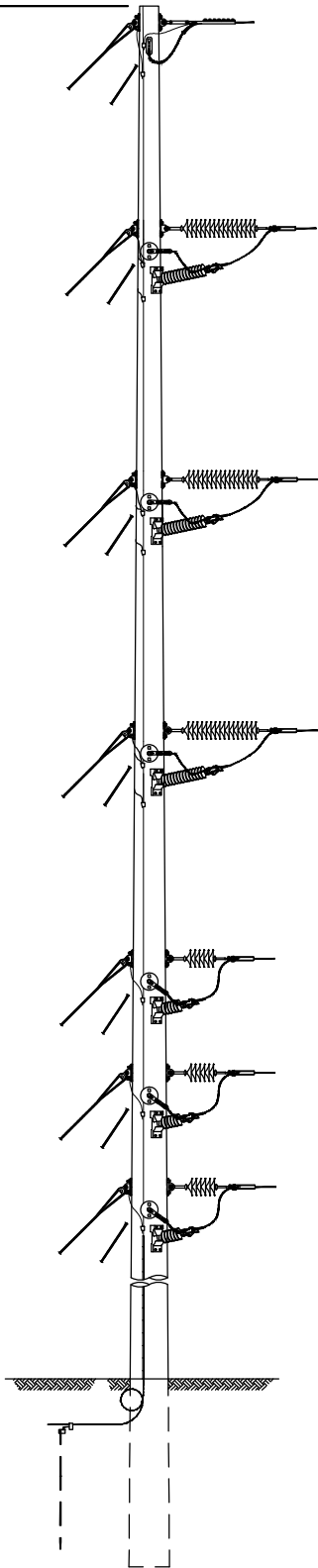
AHV CLAIMS PROPRIETARY RIGHTS TO THE INFORMATION, DESIGN, AND LAYOUT DISCLOSED HEREIN. THIS DRAWING IS ISSUED FOR INFORMATIONAL PURPOSES ONLY AND MAY NOT BE REPRODUCED, DISCLOSED TO OTHERS OR USED TO DESIGN OR CONSTRUCT ANY OF THE ITEMS SHOWN HEREIN WITHOUT THE EXPRESSED WRITTEN CONSENT OF AHV. COPYRIGHT 2016 -ALBANY, NY



					CASSADAGA WIND PROJECT CASSADAGA WIND, LLC.		PROJ. No.: 19018			
					115kV TRANSMISSION LINE CONCEPTUAL STRUCTURE DRAWING		SCALE: NONE			
A	01/28/16	ISSUED FOR INFORMATION	SDD	PBP	PBP	TYPE: HEAVY ANGLE W/ 34.5KV UNDERBUILT		DWG. No.: SK-002	SHEET: 03	REV.: A
REV.	DATE	DESCRIPTION	DWN	CHK'D	APRV'D					

AVE. SPAN LENGTH: 400 – 500 FT.
 AVE. STRUCTURE HEIGHT: 85 – 95 FT.

85' – 95'
 TYPICAL



PROPRIETARY INFORMATION

AHV CLAIMS PROPRIETARY RIGHTS TO THE INFORMATION, DESIGN, AND LAYOUT DISCLOSED HEREIN. THIS DRAWING IS ISSUED FOR INFORMATIONAL PURPOSES ONLY AND MAY NOT BE REPRODUCED, DISCLOSED TO OTHERS OR USED TO DESIGN OR CONSTRUCT ANY OF THE ITEMS SHOWN HEREIN WITHOUT THE EXPRESSED WRITTEN CONSENT OF AHV. COPYRIGHT 2016 –ALBANY, NY



				CASSADAGA WIND PROJECT CASSADAGA WIND, LLC.			PROJ. No.: 19018			
				115KV TRANSMISSION LINE CONCEPTUAL STRUCTURE DRAWING			SCALE: NONE			
A	01/28/16	ISSUED FOR INFORMATION	SDD	PBP	PBP	DWG. No.:		SHEET:	REV.:	
REV.	DATE	DESCRIPTION	DWN	CHK'D	APRV'D	TYPE: DEAD-END W/ 34.5KV UNDERBUILT		SK-002	04	A